

TITLE: **UNICA START - 8 BOTT.**

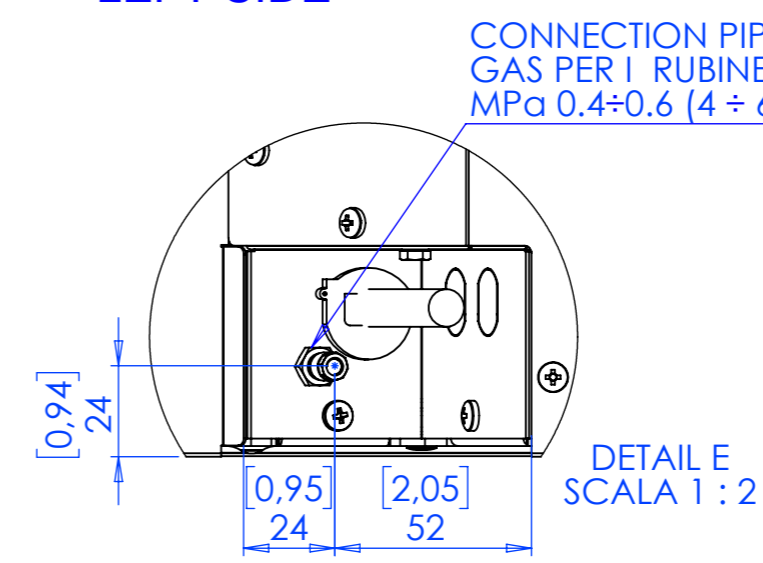
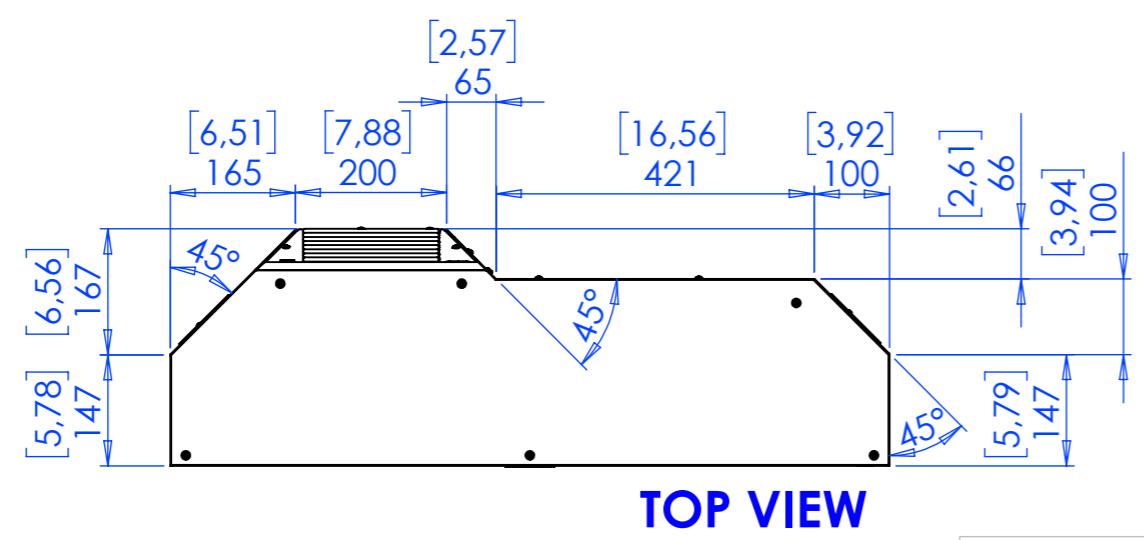
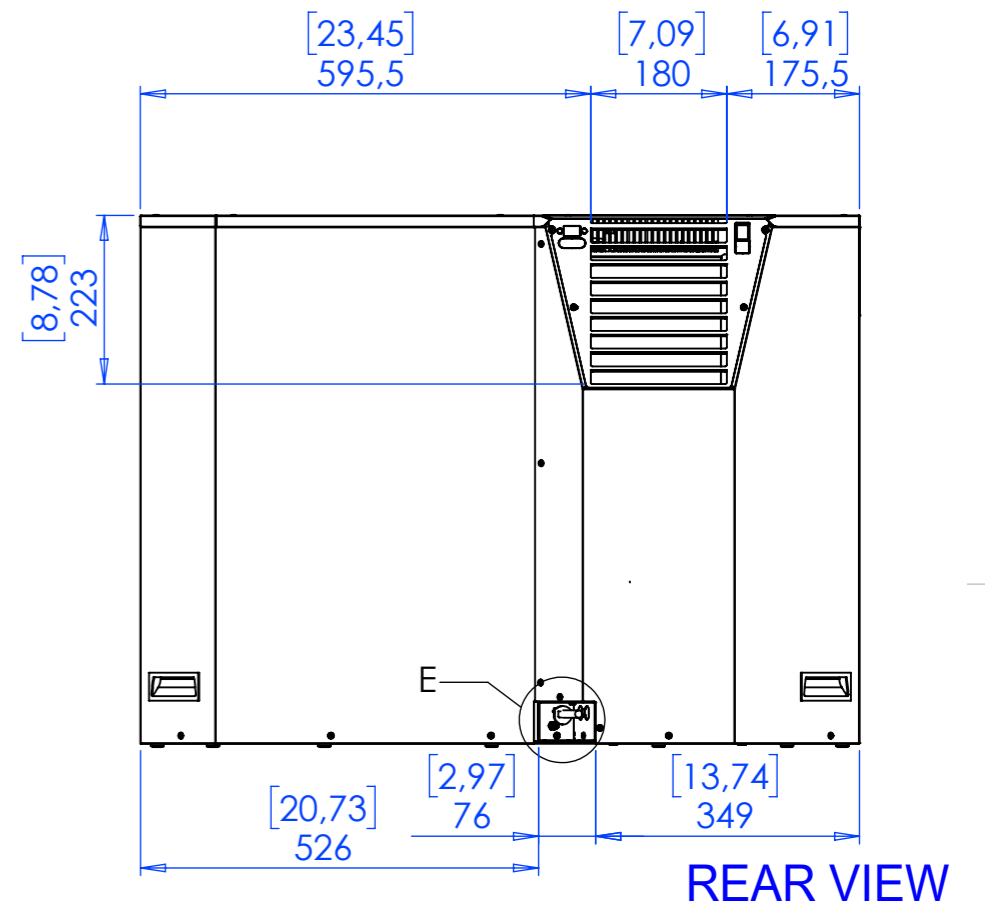
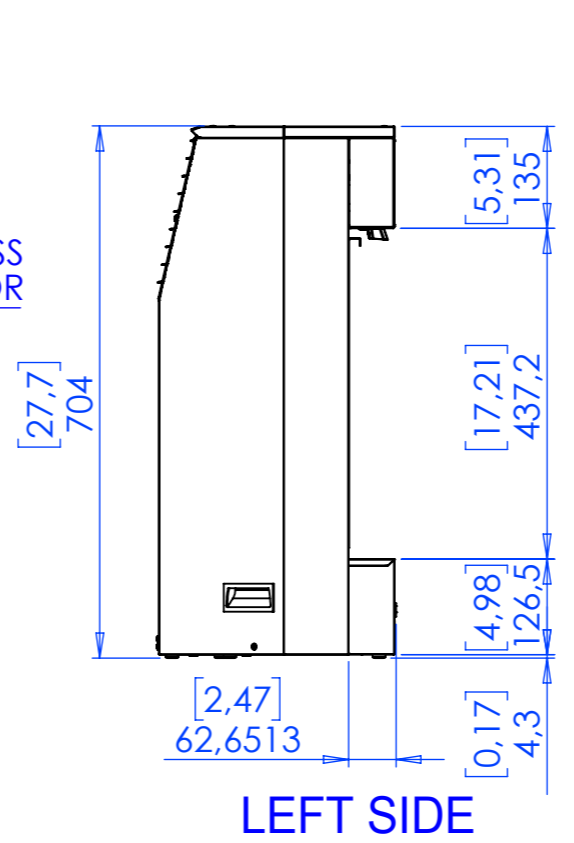
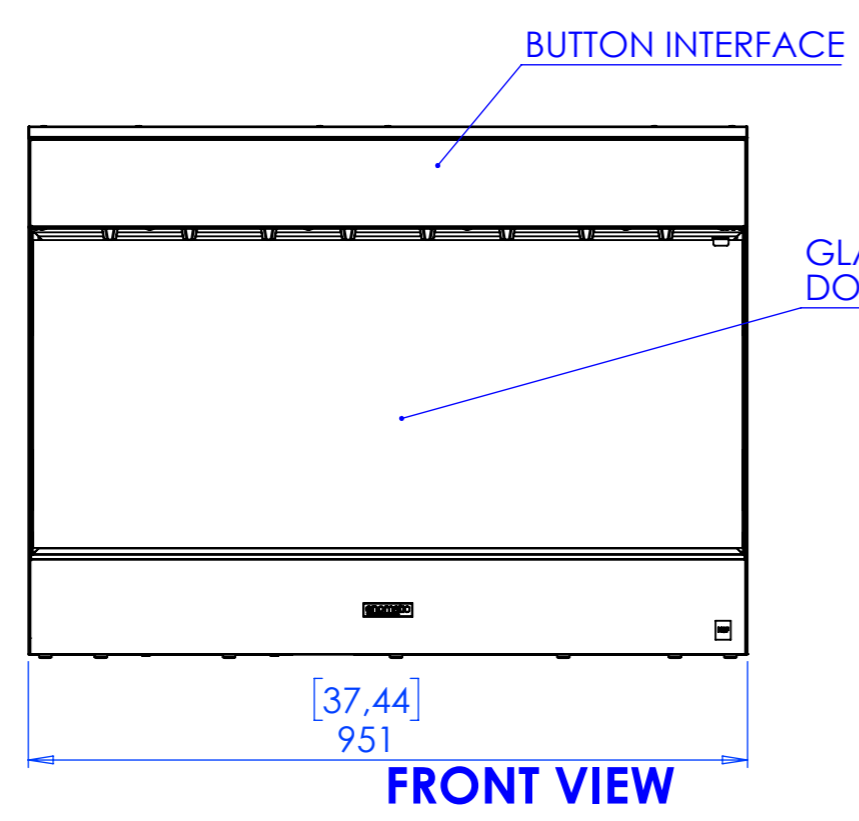
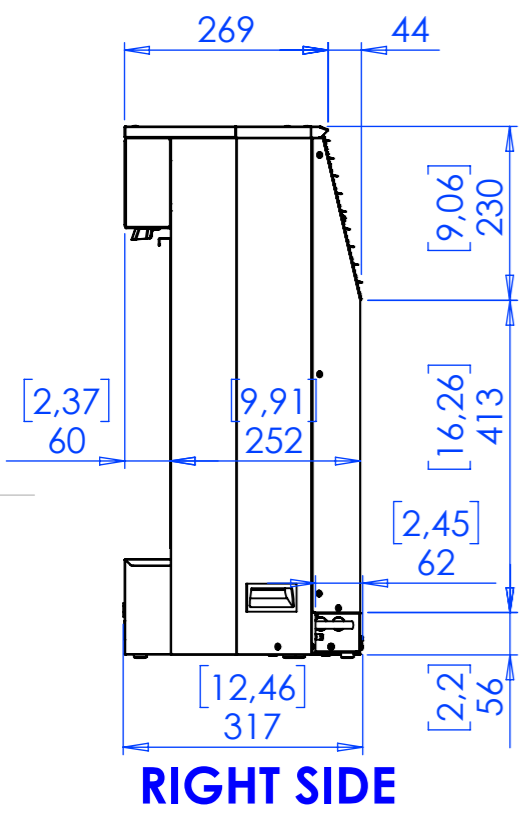
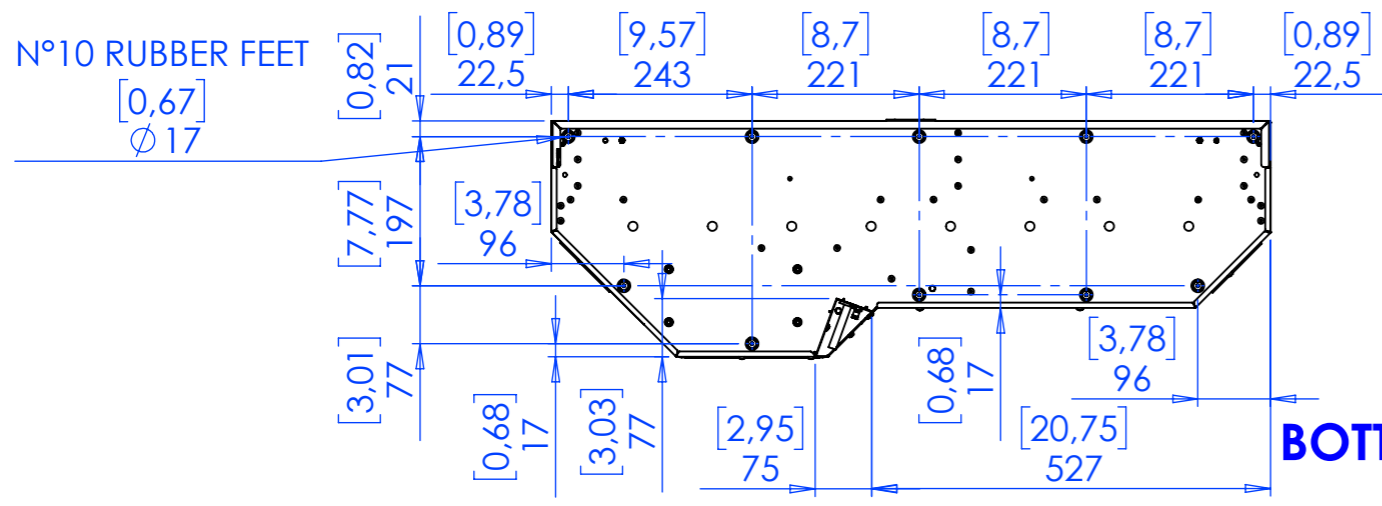
DWG NO. **ESC380-YM000** A3

QUOTE SENZA INDICAZIONI DI TOLLERANZA SECONDO UNI EN 22768 - mH
DIMENSIONS WITHOUT TOLERANCE FIGURES, ACCORDING TO UNI EN 22768 - mH. STANDARD

SCALE: 1:5 LANGUAGE: ENGLISH FINISH: THICKNESS: SHEET 1 OF 7

PROPRIETARY AND CONFIDENTIAL
THE INFORMATION CONTAINED IN THIS DRAWING IS THE SOLE PROPERTY OF ENOMATIC. ANY REPRODUCTION IN PART OR AS A WHOLE WITHOUT THE WRITTEN PERMISSION OF ENOMATIC IS PROHIBITED.

REV.	DESCRIPTION	DATE	EXECUTOR	CHK'D	APPV'D
0	ISSUE	18/10/2023	Francesco Panichi		
CODE: /		MATERIAL: /		WEIGHT Kg: /	



NOTE
- ALL DIMENSIONS ARE IN mm [inches]

PROPRIETARY AND CONFIDENTIAL
THE INFORMATION CONTAINED IN THIS DRAWING IS THE SOLE PROPERTY OF ENOMATIC. ANY REPRODUCTION IN PART OR AS A WHOLE WITHOUT THE WRITTEN PERMISSION OF ENOMATIC IS PROHIBITED.

REV.	DESCRIPTION	DATE	EXECUTOR	CHK'D	APPV'D
CODE:	MATERIAL:				WEIGHT Kg:
/	/	/	/	/	/

enomatic®
wine serving systems

TITLE: **UNICA START - 8 BOTT.**

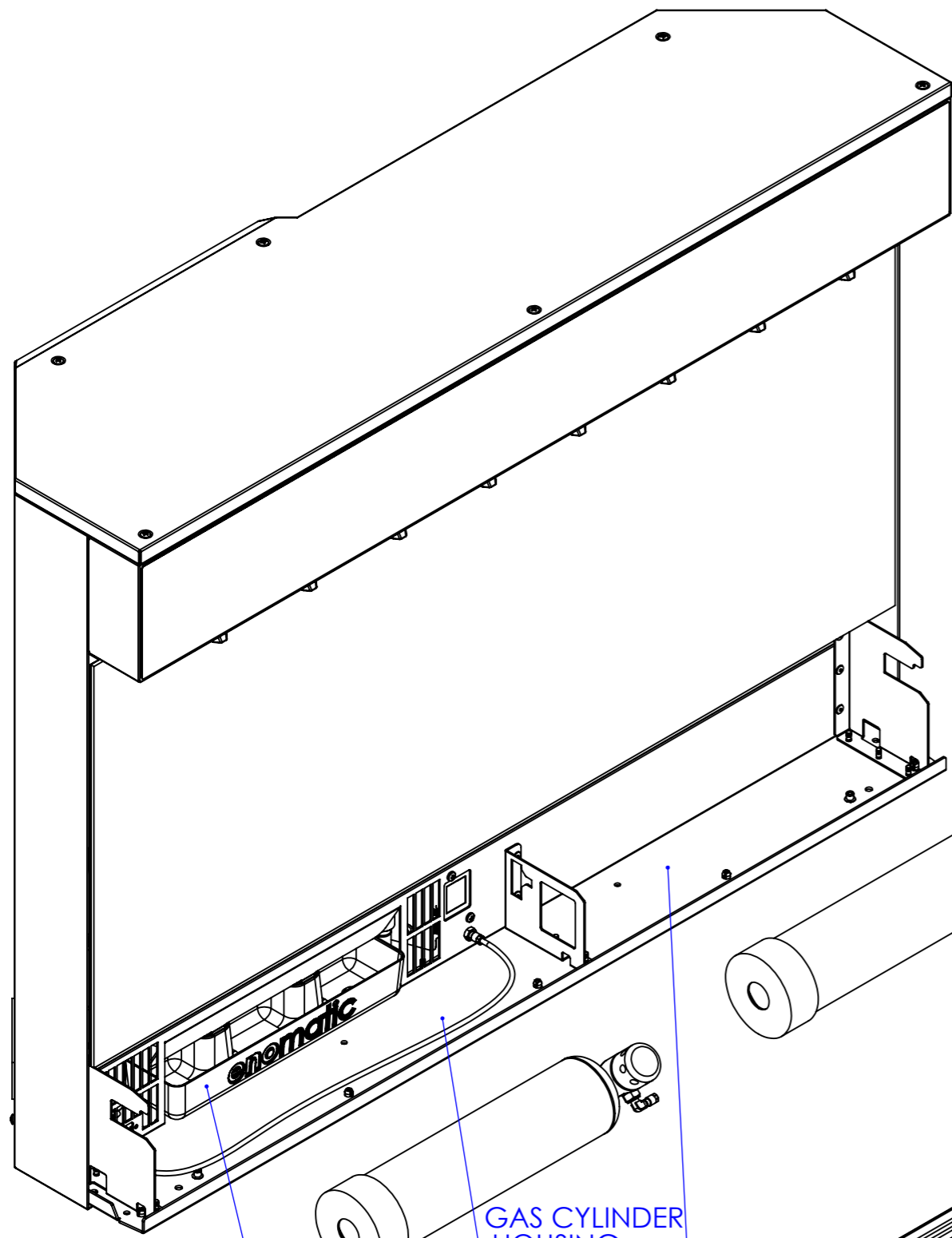
DWG NO. **ESC380-YM000**

SCALE:1:10 LANGUAGE: ENGLISH FINISH: THICKNESS: A3

QUOTE SENZA INDICAZIONI DI TOLLERANZA SECONDO UNI EN 22768 - mH
DIMENSIONS WITHOUT TOLERANCE FIGURES, ACCORDING TO UNI EN 22768 - mH STANDARD

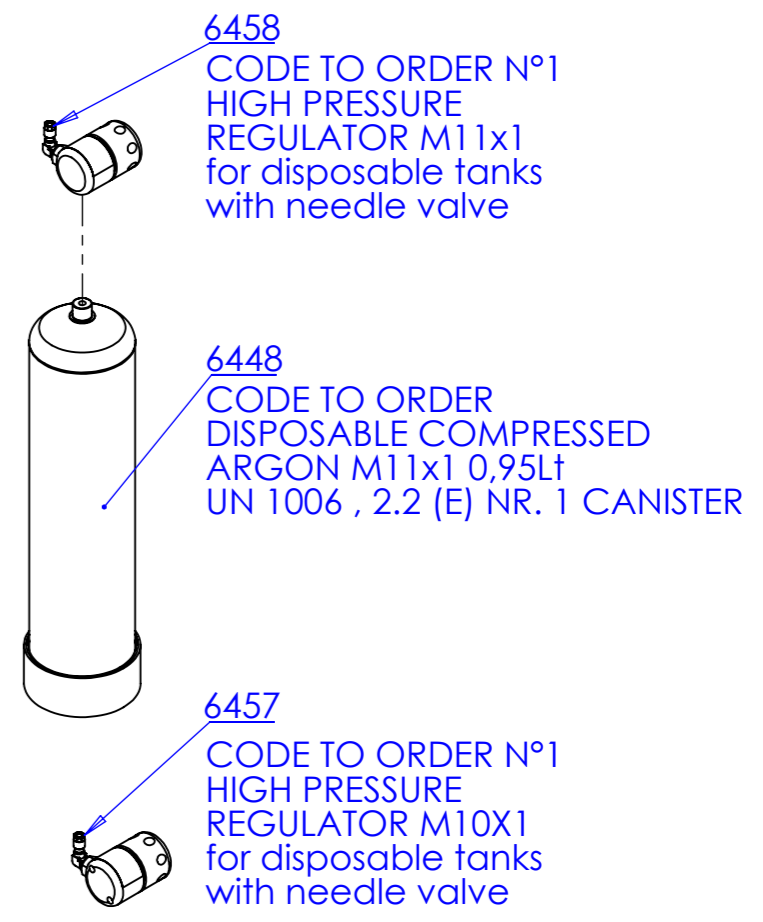
SHEET 2 OF 7

PRIMARY ACCESSORIES NOT INCLUDED



REMOVABLE
CONDENSATION TRAY

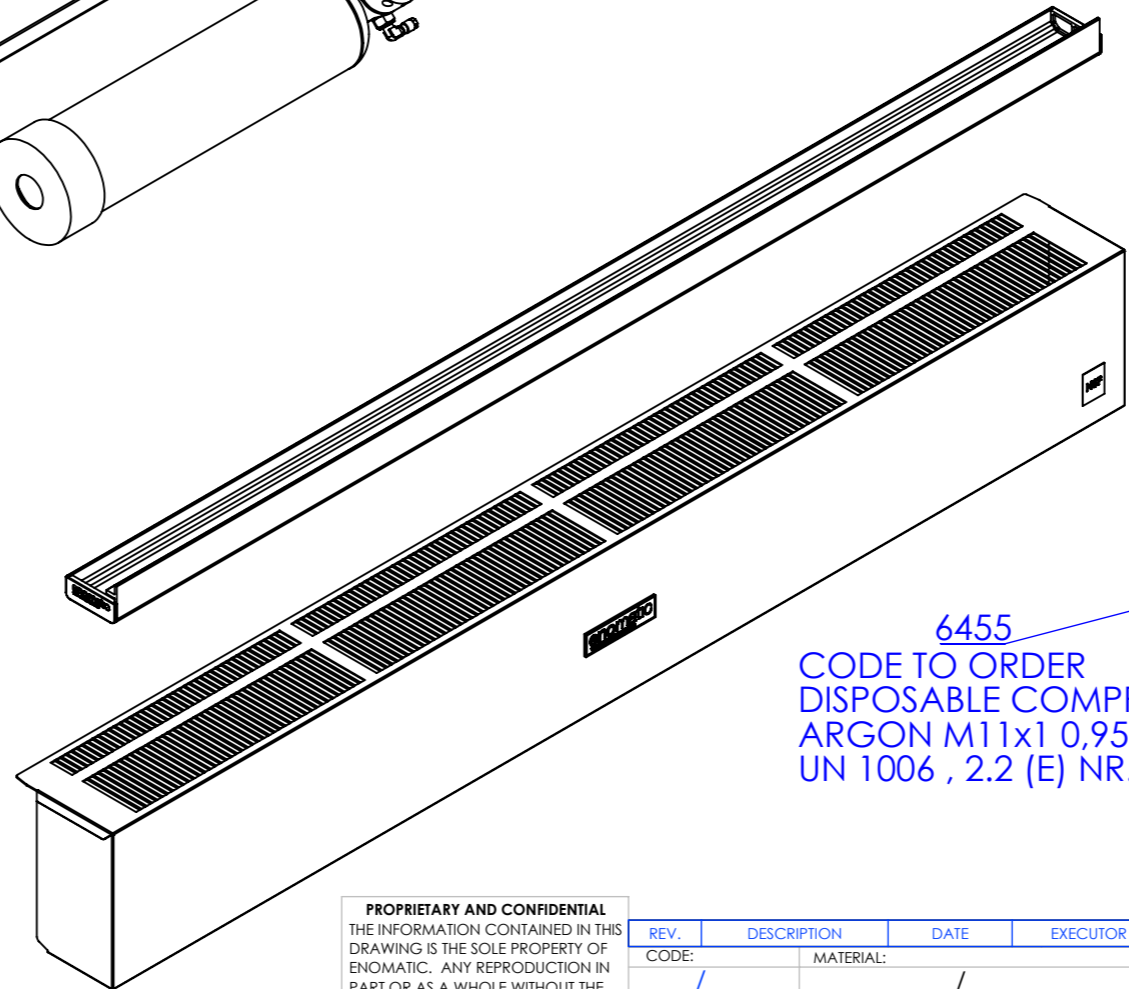
GAS CYLINDER
HOUSING



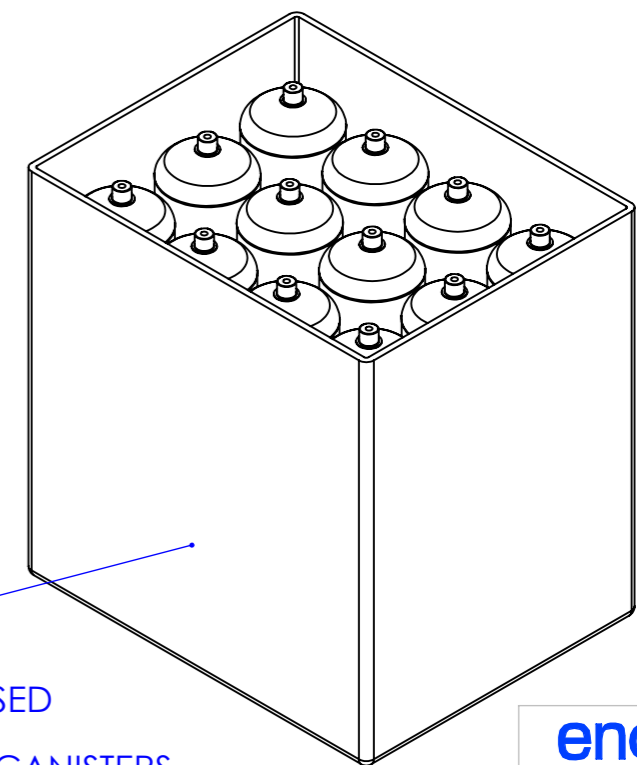
6458
CODE TO ORDER N°1
HIGH PRESSURE
REGULATOR M11x1
for disposable tanks
with needle valve

6448
CODE TO ORDER
DISPOSABLE COMPRESSED
ARGON M11x1 0,95Lt
UN 1006 , 2.2 (E) NR. 1 CANISTER

6457
CODE TO ORDER N°1
HIGH PRESSURE
REGULATOR M10X1
for disposable tanks
with needle valve



6455
CODE TO ORDER
DISPOSABLE COMPRESSED
ARGON M11x1 0,95Lt
UN 1006 , 2.2 (E) NR.12 CANISTERS



PROPRIETARY AND CONFIDENTIAL
THE INFORMATION CONTAINED IN THIS
DRAWING IS THE SOLE PROPERTY OF
ENOMATIC. ANY REPRODUCTION IN
PART OR AS A WHOLE WITHOUT THE
WRITTEN PERMISSION OF ENOMATIC
IS PROHIBITED.

REV.	DESCRIPTION	DATE	EXECUTOR	CHK'D	APPV'D
CODE:	MATERIAL:				WEIGHT Kg:
/	/	/			/

TITLE: **UNICA START - 8 BOTT.**

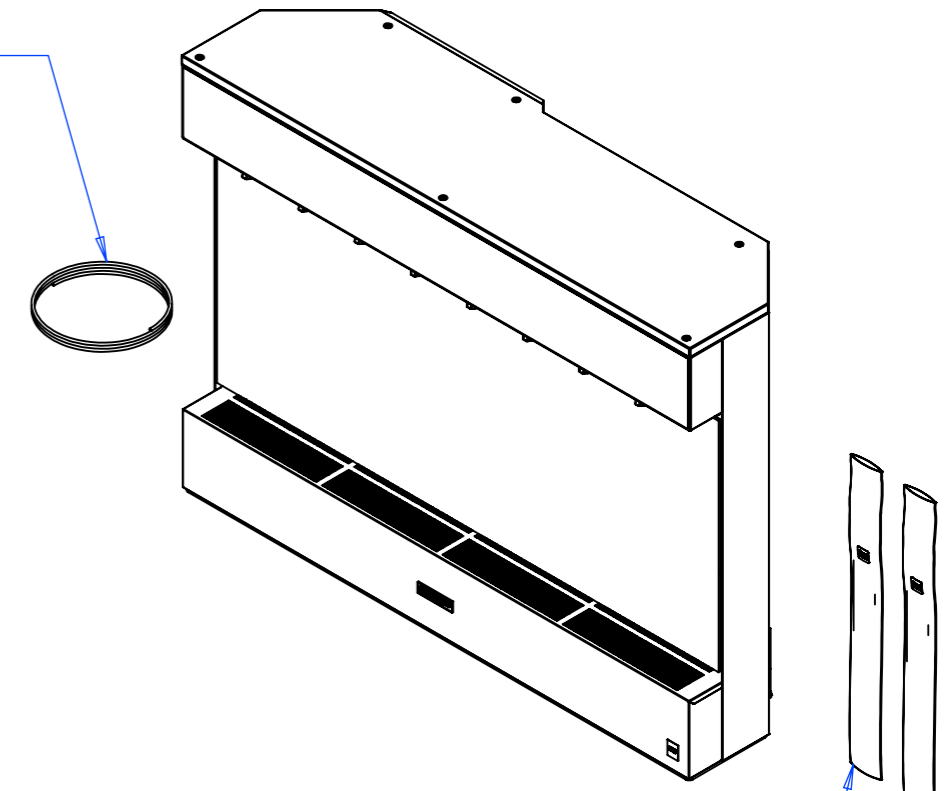
DWG NO. **ESC380-YM000**

SCALE:1:5 LANGUAGE: ENGLISH FINISH: THICKNESS: SHEET 3 OF 7

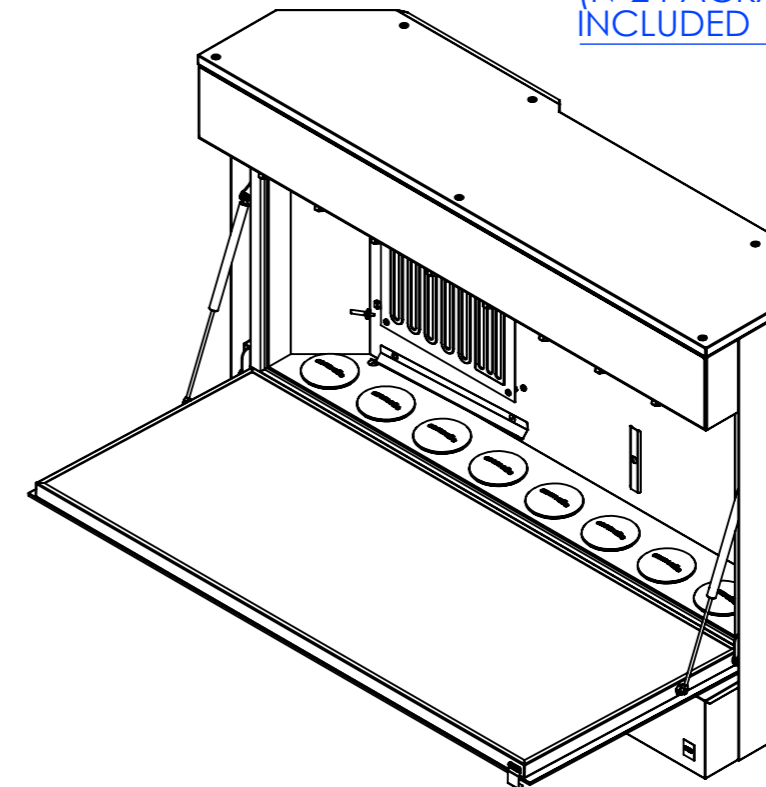
A3

UNICA START - 8 BOTTLES							
SIZE	HEIGHT (MIN -MAX)	704 mm [27.72]					
	DEPTH	317 mm [12.48]					
	WIDTH	951 mm [37.44]					
WEIGHT (Kg)	55 Kg						
FINISH MATERIALS	STAINLESS STEEL AISI 304 - GLASS						
ELETRICAL FEATURES	AVAILABLE MODEL	VOLTAGE (V)	100	120	127	220-240	
		FREQUENCY (Hz)	50-60	60	60	50-60	
	R600a	AMPS (A)	1.1	1	1.1	0.5	
REFRIGERATION SPECIFICATION	REFRIGERATION GAS	R600a					
	TEMPERATURE CONTROL	ELECTRONIC CONTROLLER					
	DEFROST METHOD	AUTOMATIC VIA ELECTRONIC CONTROLLER					
	METHOD FOR TEMPERATURES CONTROL	LED					
PRESSURE GAS INLET FOR TAPS (ARGON OR NITROGEN)		MPa 0.4÷0.6 (4÷6 Bar)					
ACCEPTED BOTTLES	HEIGHT	233÷350mm [8.66÷14.37]					
	Ø MAX	TAP 1	105 mm [4.13]				
		TAP 2	101 mm [3.98]				
		TAP 3	93 mm [3.66]				
		TAP 4	90 mm [3.54]				
		TAP 5	97 mm [3.82]				
		TAP 6	105 mm [4.13]				
		TAP 7	105 mm [4.13]				
		TAP 8	105 mm [4.13]				

3 METERS OF PIPE
 Ø4mm O.D.
 (Ø2.5 I.D.)
 INCLUDED



BOTTLES PIPES WITH FILTER
 (N°2 PACKAGES OF 5 PIECES)
 INCLUDED



NOTE

- ALL DIMENSIONS ARE IN mm [inches]

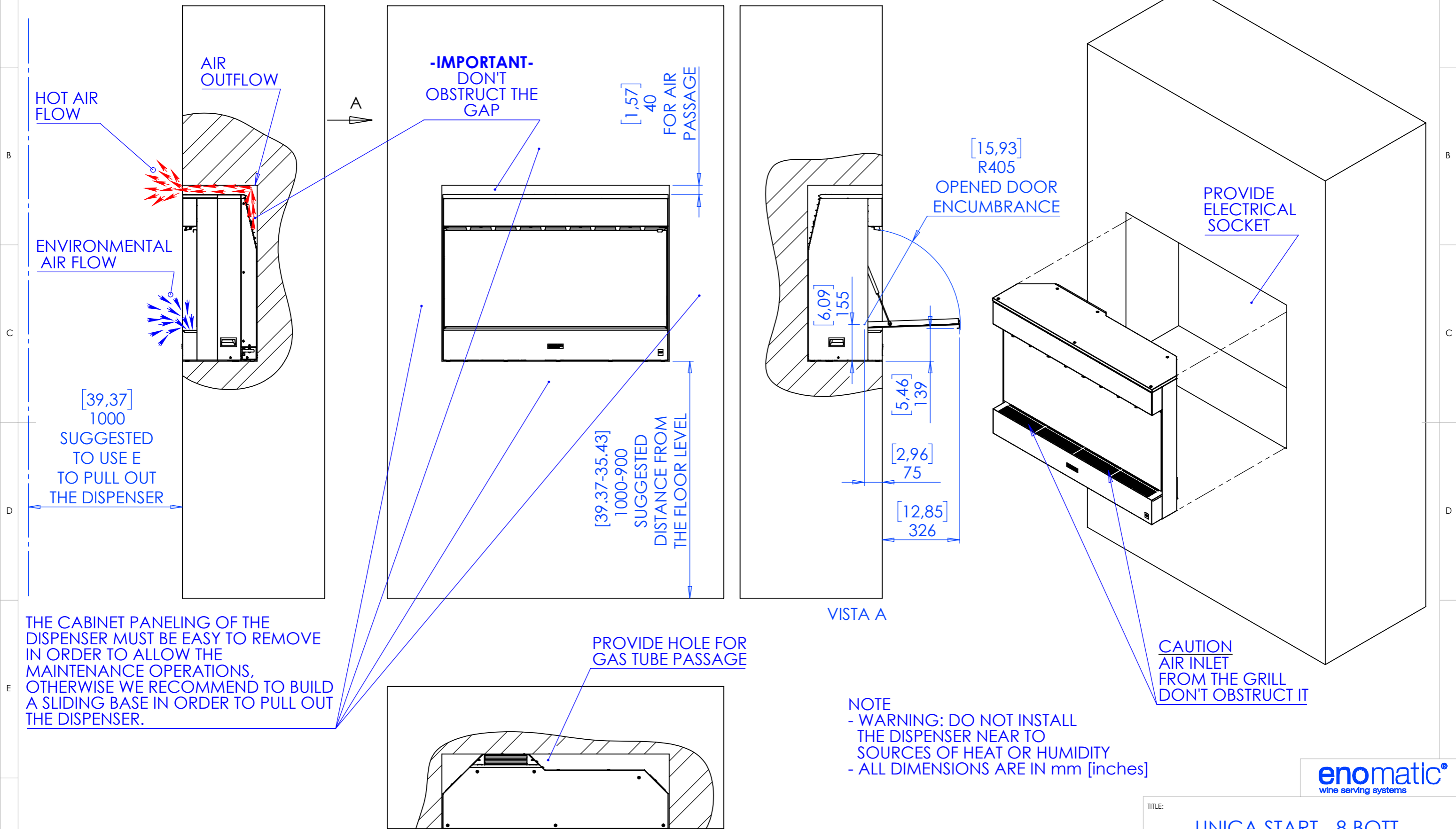
PROPRIETARY AND CONFIDENTIAL
 THE INFORMATION CONTAINED IN THIS DRAWING IS THE SOLE PROPERTY OF ENOMATIC. ANY REPRODUCTION IN PART OR AS A WHOLE WITHOUT THE WRITTEN PERMISSION OF ENOMATIC IS PROHIBITED.

REV.	DESCRIPTION	DATE	EXECUTOR	CHK'D	APPV'D
CODE:	MATERIAL:				WEIGHT Kg:
/	/	/	/	/	/



TITLE:	UNICA START - 8 BOTT.		
DWG NO.	ESC380-YM000	A3	
QUOTE SENZA INDICAZIONI DI TOLLERANZA SECONDO UNI EN 22768 - mH DIMENSIONS WITHOUT TOLERANCE FIGURES, ACCORDING TO UNI EN 22768 - mH STANDARD			
SCALE:1:10	LANGUAGE: ENGLISH	FINISH:	THICKNESS:

1 - EXAMPLE OF INSTALLATION - POSITIONING IN FORESEEN BOX (REFER TO MINIMAL REQUIRED CLEARANCE FOR PROPER PERFORMANCES)



TITLE: **UNICA START - 8 BOTT.**

DWG NO. **ESC380-YM000**

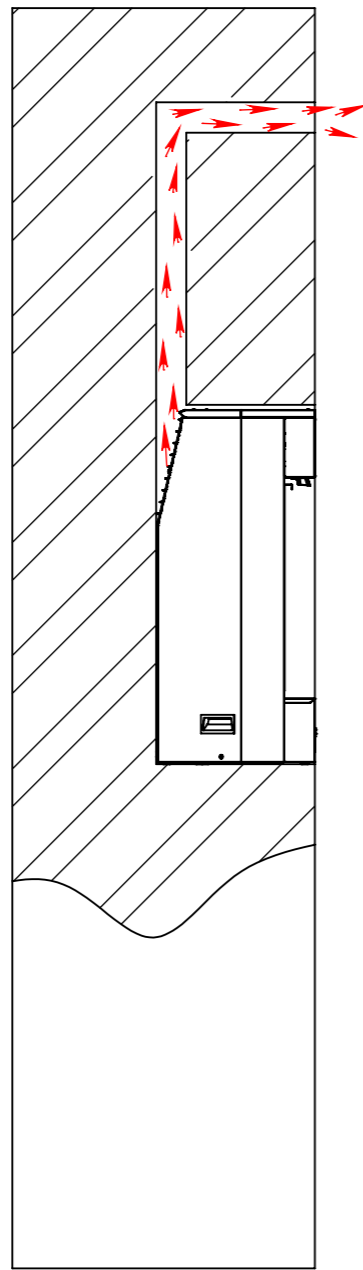
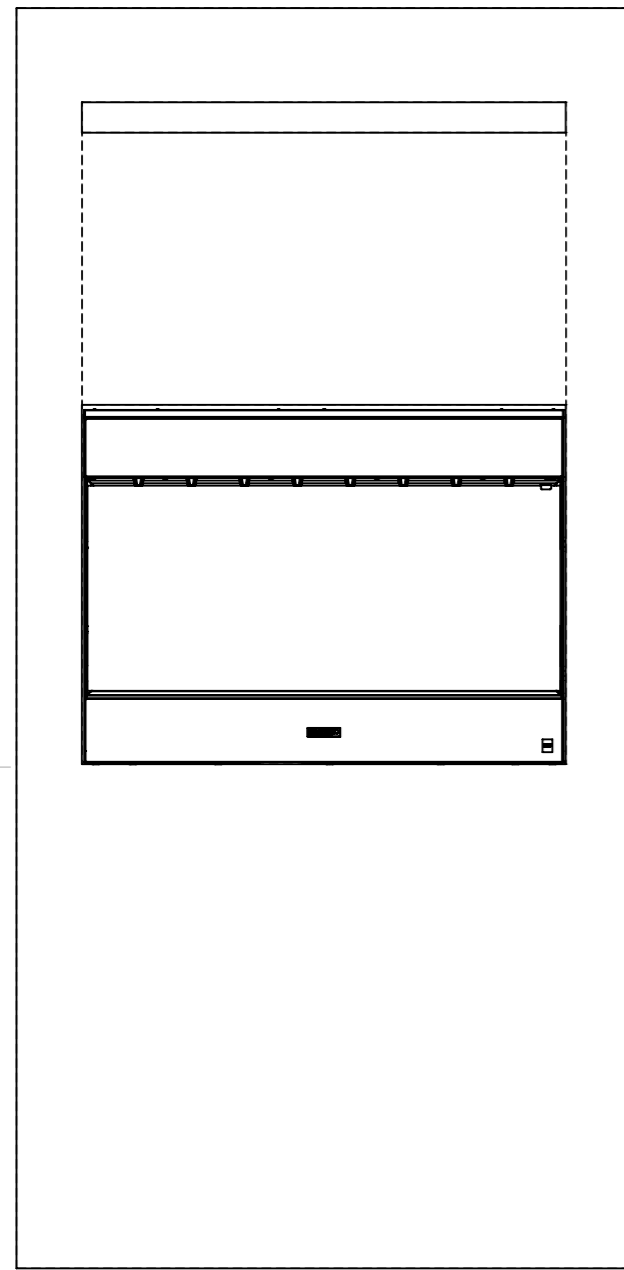
SCALE: 1:15 LANGUAGE: ENGLISH FINISH: THICKNESS:

A3 SHEET 5 OF 7

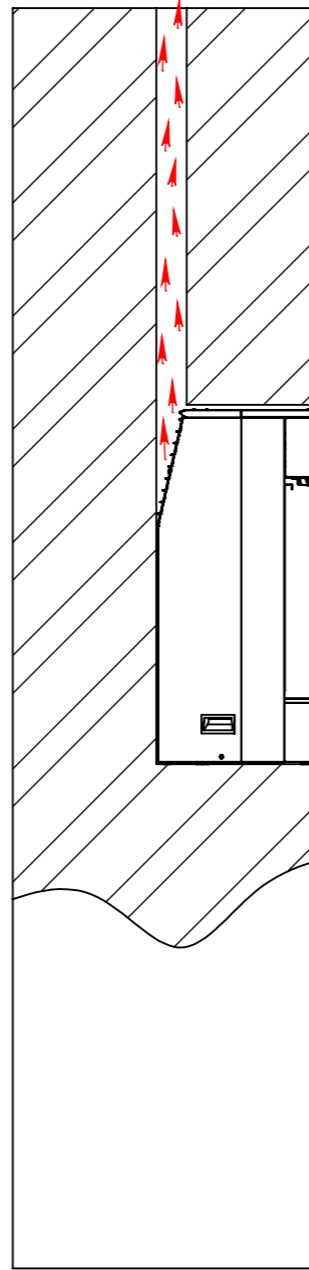
PROPRIETARY AND CONFIDENTIAL
 THE INFORMATION CONTAINED IN THIS DRAWING IS THE SOLE PROPERTY OF ENOMATIC. ANY REPRODUCTION IN PART OR AS A WHOLE WITHOUT THE WRITTEN PERMISSION OF ENOMATIC IS PROHIBITED.

REV.	DESCRIPTION	DATE	EXECUTOR	CHK'D	APPV'D
CODE:	MATERIAL:				WEIGHT Kg:
/	/	/	/	/	/

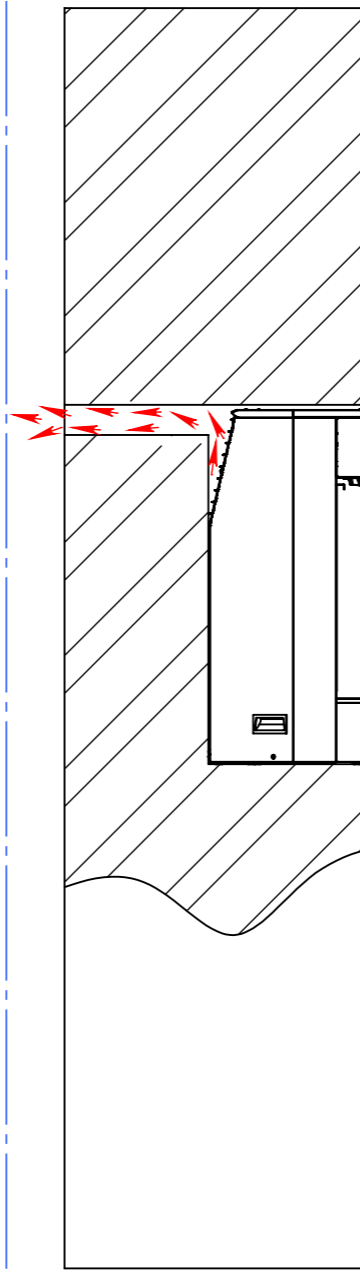
**3 - N°4 EXAMPLE OF INSTALLATION - BUILT-IN POSITIONING -
PASSAGE OF AIR FOR EACH DISPENSER BIGGER OF 10000 mm² [15,5 in²]**



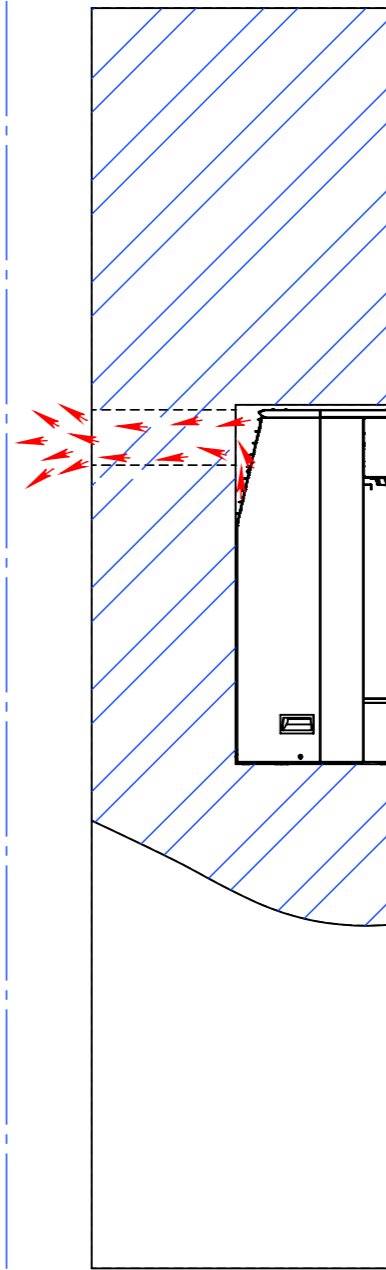
1



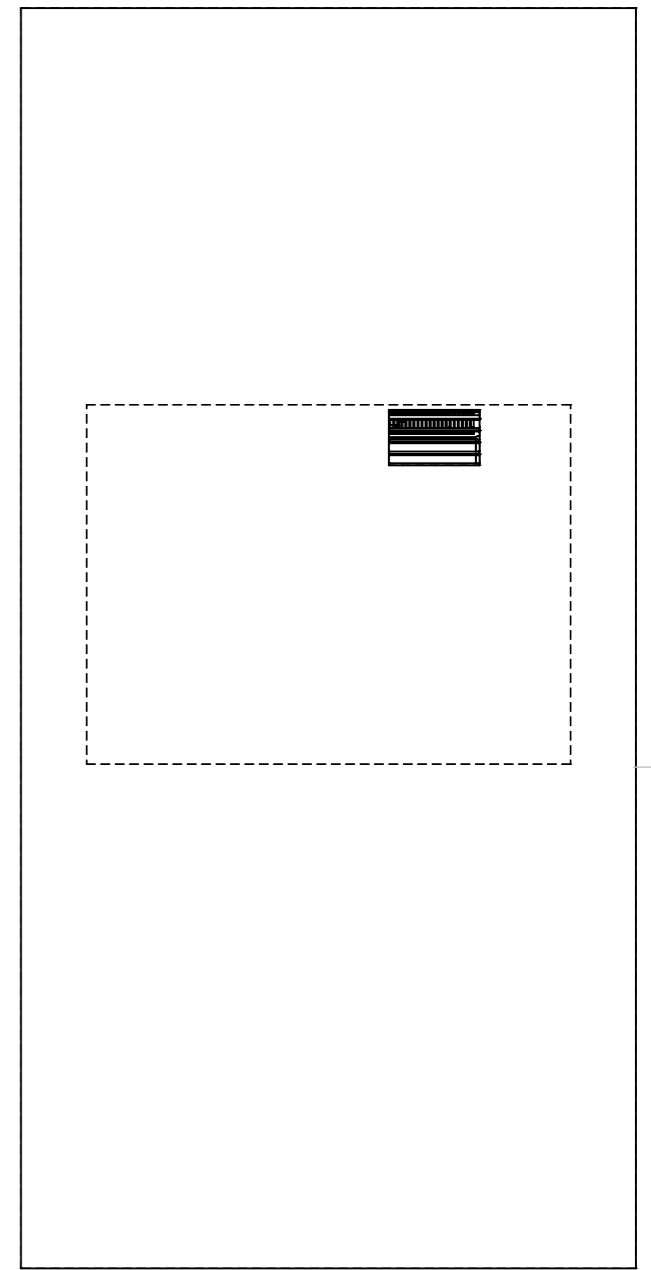
2



3



4



enomatic[®]
wine serving systems

TITLE:
UNICA START - 8 BOTT.

PROPRIETARY AND CONFIDENTIAL
THE INFORMATION CONTAINED IN THIS
DRAWING IS THE SOLE PROPERTY OF
ENOMATIC. ANY REPRODUCTION IN
PART OR AS A WHOLE WITHOUT THE
WRITTEN PERMISSION OF ENOMATIC
IS PROHIBITED.

REV.	DESCRIPTION	DATE	EXECUTOR	CHK'D	APPV'D
CODE:	MATERIAL:				WEIGHT Kg:
/	/				/

DWG NO. **ESC380-YM000**

A3

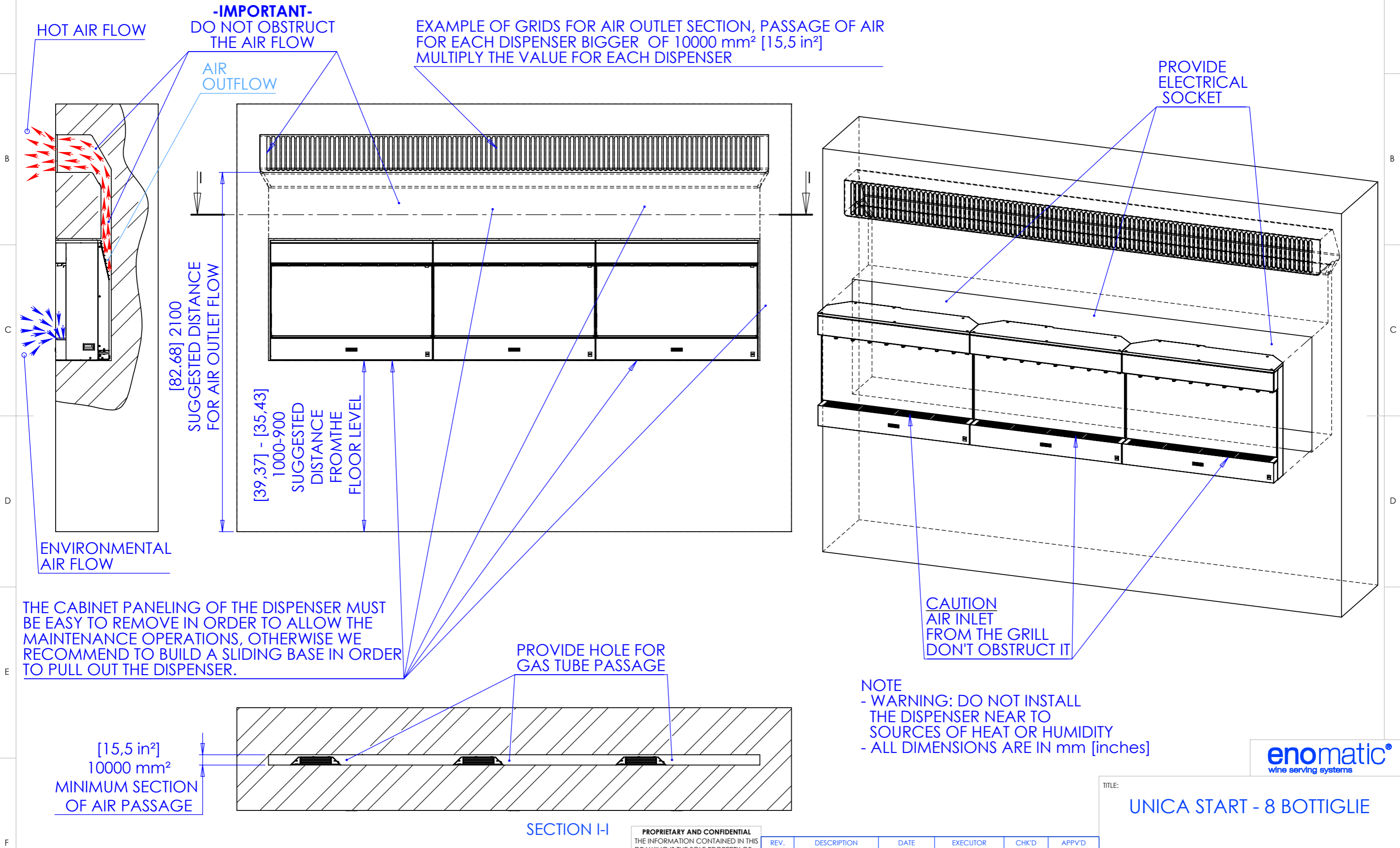
QUOTE SENZA INDICAZIONI DI TOLLERANZA SECONDO UNI EN 22768 - mH
DIMENSIONS WITHOUT TOLERANCE FIGURES, ACCORDING TO UNI EN 22768 - mH. STANDARD

SCALE:1:15 LANGUAGE: ENGLISH FINISH: THICKNESS:



SHEET 6 OF 7

3 - EXAMPLE OF INSTALLATION - BUILT-IN POSITIONING
 (REFER TO MINIMAL REQUIRED CLEARANCE FOR PROPER PERFORMANCES)



PROPRIETARY AND CONFIDENTIAL
 THE INFORMATION CONTAINED IN THIS DRAWING IS THE SOLE PROPERTY OF ENOMATIC. ANY REPRODUCTION IN PART OR AS A WHOLE WITHOUT THE WRITTEN PERMISSION OF ENOMATIC IS PROHIBITED.

REV.	DESCRIPTION	DATE	EXECUTOR	CHK'D	APPV'D
CODE:	MATERIAL:				WEIGHT Kg:
/	/	/	/	/	/

TITLE: **UNICA START - 8 BOTTIGLIE**

DWG NO. **ESC380-YM000**

SCALE: 1:20 LANGUAGE: ENGLISH FINISH: THICKNESS:

A3

QUOTE SENZA INDICAZIONI DI TOLLERANZA SECONDO UNI EN 22768 - mH DIMENSIONS WITHOUT TOLERANCE FIGURES, ACCORDING TO UNI EN 22768 - mH STANDARD

SHEET 7 OF 7