

enomatic®
wine serving systems

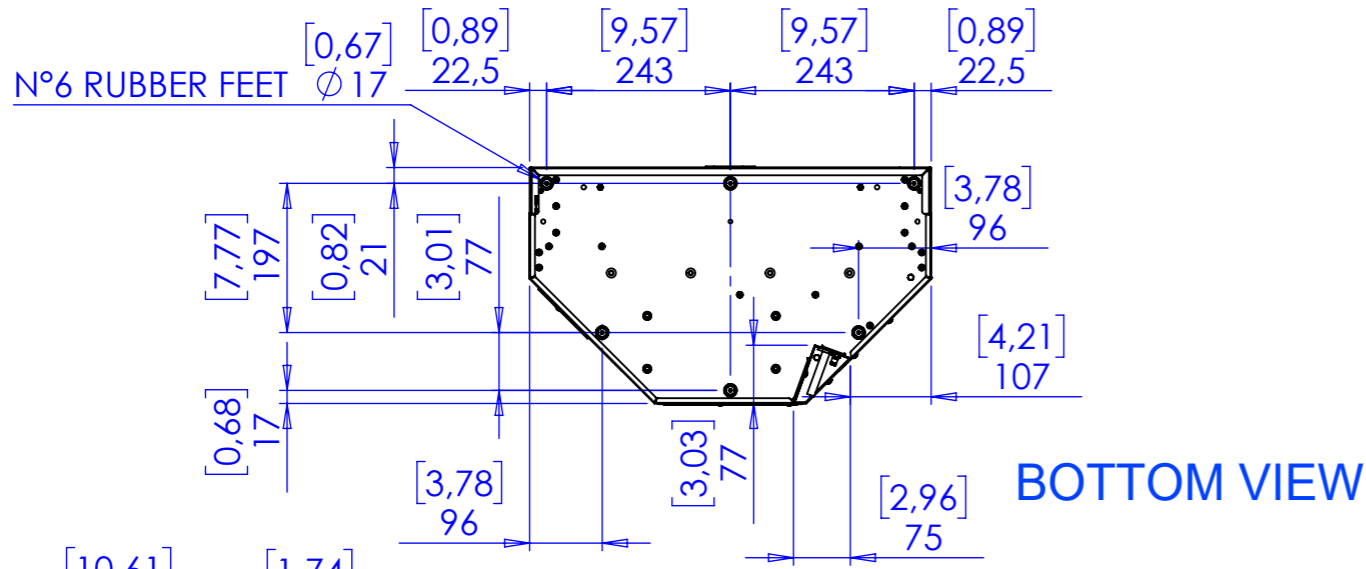
TITLE:
UNICA START - 4 BOTT.

PROPRIETARY AND CONFIDENTIAL
THE INFORMATION CONTAINED IN THIS DRAWING IS THE SOLE PROPERTY OF ENOMATIC. ANY REPRODUCTION IN PART OR AS A WHOLE WITHOUT THE WRITTEN PERMISSION OF ENOMATIC IS PROHIBITED.

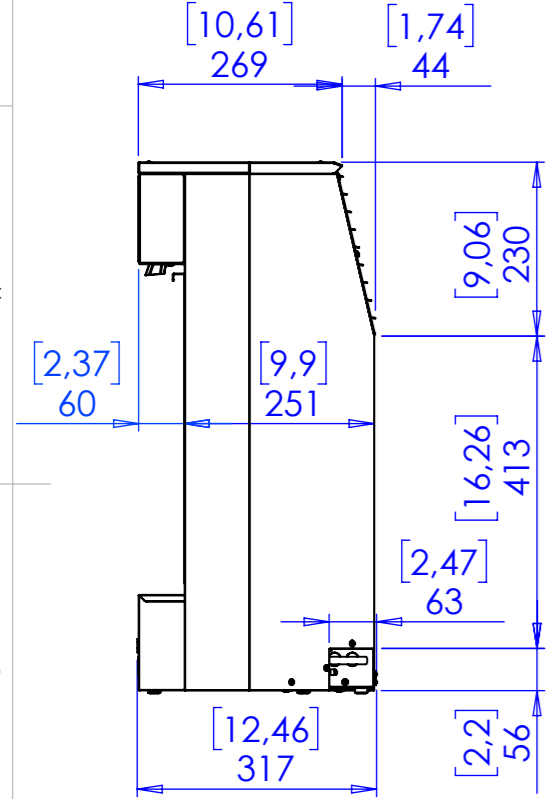
REV.	DESCRIPTION	DATE	EXECUTOR	CHK'D	APPV'D
0	EMISSIONE	16/10/2023	Francesco Panichi		
CODE:	MATERIAL:				WEIGHT Kg:
/	/	/	/	/	/

DWG NO.	ESC340-YM000	A3
<small>QUOTE SENZA INDICAZIONI DI TOLLERANZA SECONDO UNI EN 22768 - mH DIMENSIONS WITHOUT TOLERANCE FIGURES, ACCORDING TO UNI EN 22768 - mH STANDARD</small>		
SCALE:1:5	LANGUAGE: ENGLISH	SHEET 1 OF 7

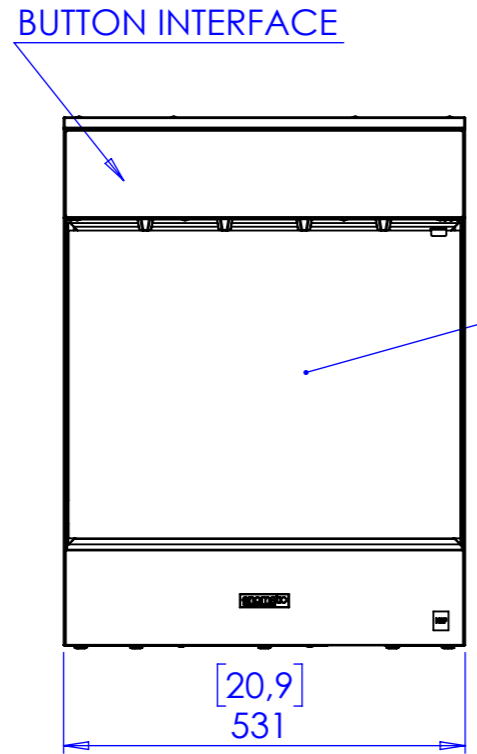




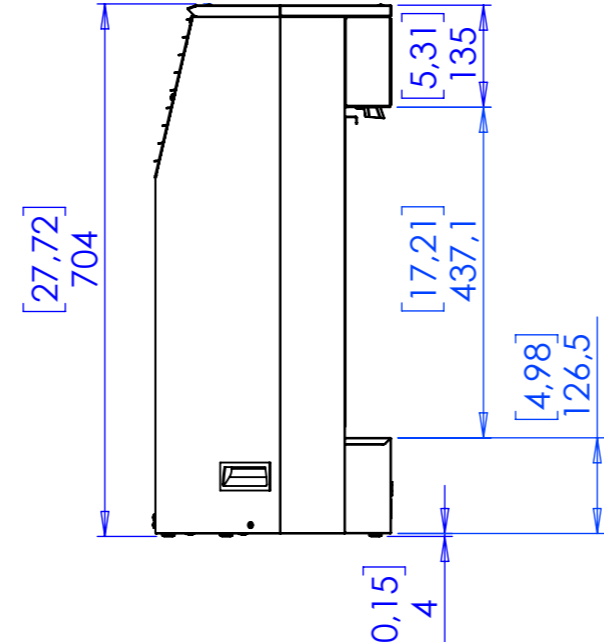
BOTTOM VIEW



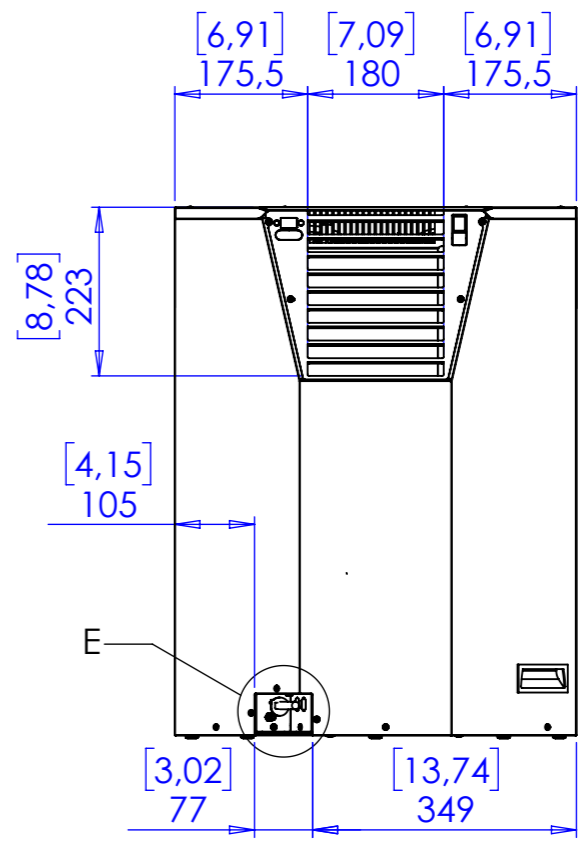
RIGHT SIDE



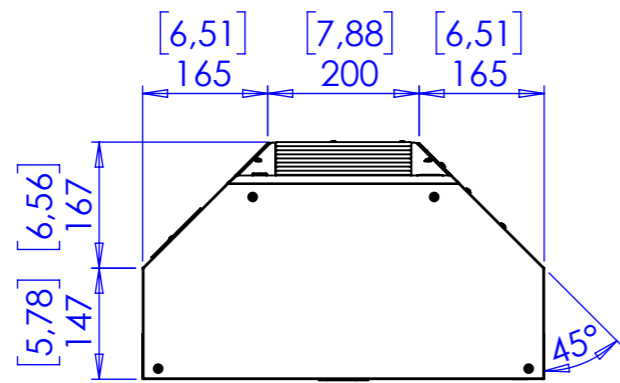
FRONT VIEW



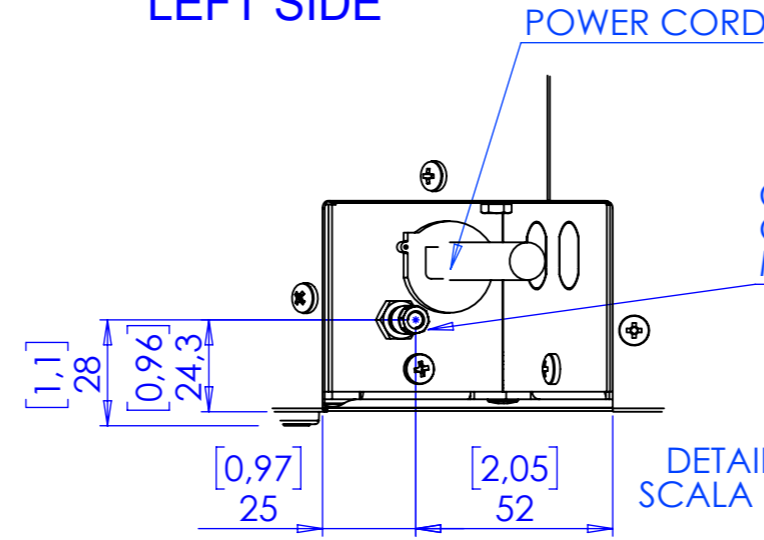
LEFT SIDE



REAR VIEW



TOP VIEW



NOTE
 - ALL DIMENSIONS ARE IN mm [inches]

PROPRIETARY AND CONFIDENTIAL
 THE INFORMATION CONTAINED IN THIS DRAWING IS THE SOLE PROPERTY OF ENOMATIC. ANY REPRODUCTION IN PART OR AS A WHOLE WITHOUT THE WRITTEN PERMISSION OF ENOMATIC IS PROHIBITED.

REV.	DESCRIPTION	DATE	EXECUTOR	CHK'D	APPV'D
CODE:	MATERIAL:				WEIGHT Kg:
/	/	/	/	/	/

enomatic®
 wine serving systems

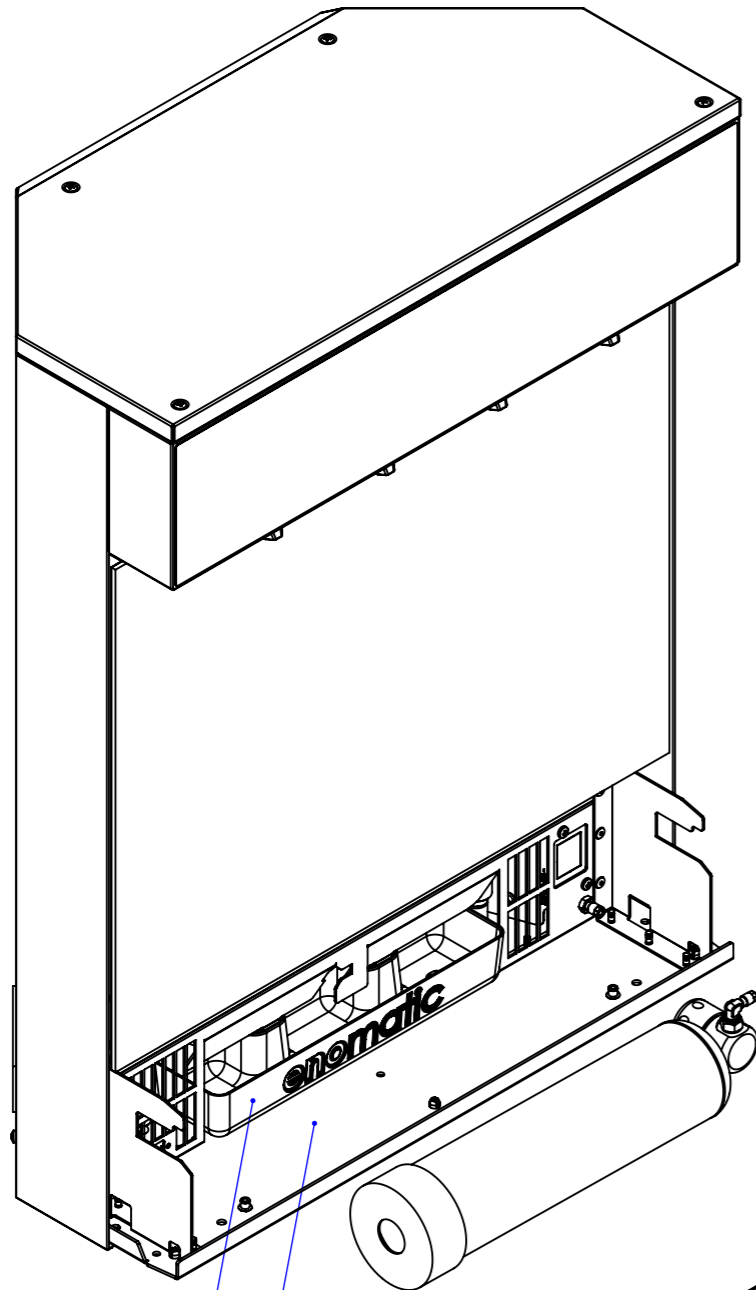
TITLE: **UNICA START - 4 BOTT.**

DWG NO. **ESC340-YM000**

SCALE:1:10 LANGUAGE: ENGLISH FINISH: THICKNESS:

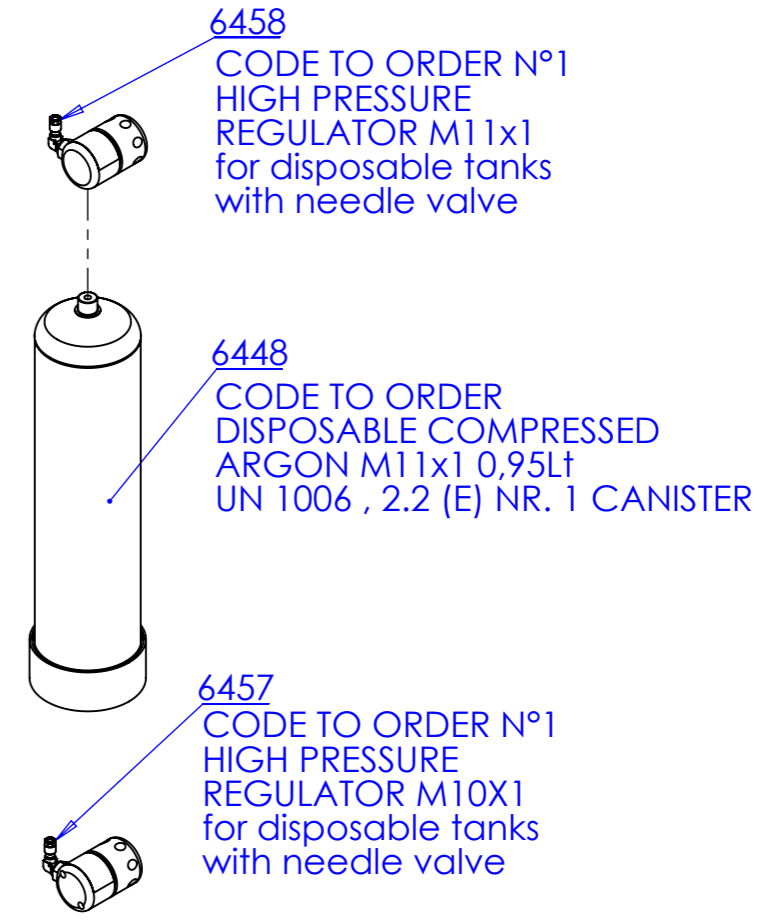
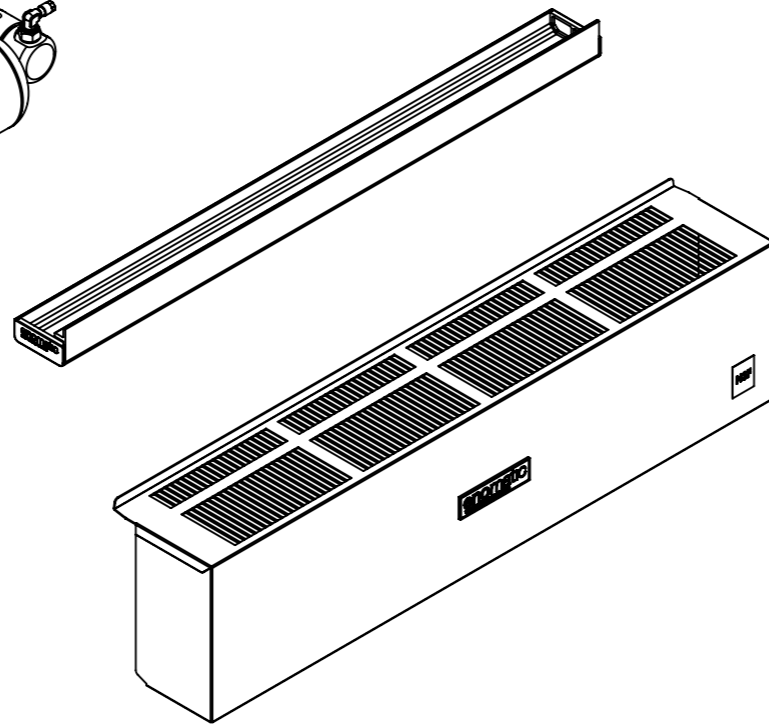
A3 SHEET 2 OF 7

PRIMARY ACCESSORIES NOT INCLUDED



REMOVABLE
CONDENSATION TRAY

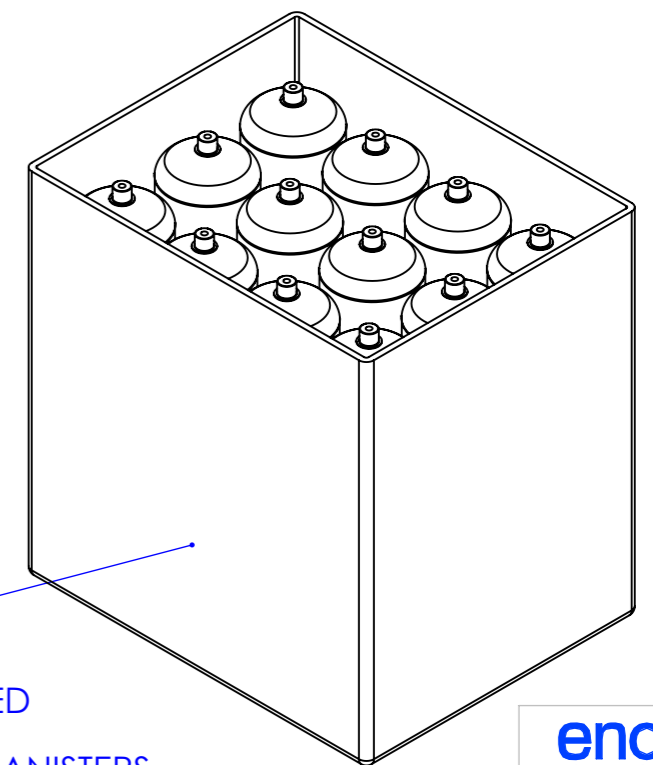
GAS CYLINDER
HOUSING



6458
CODE TO ORDER N°1
HIGH PRESSURE
REGULATOR M11x1
for disposable tanks
with needle valve

6448
CODE TO ORDER
DISPOSABLE COMPRESSED
ARGON M11x1 0,95Lt
UN 1006 , 2.2 (E) NR. 1 CANISTER

6457
CODE TO ORDER N°1
HIGH PRESSURE
REGULATOR M10X1
for disposable tanks
with needle valve



6455
CODE TO ORDER
DISPOSABLE COMPRESSED
ARGON M11x1 0,95Lt
UN 1006 , 2.2 (E) NR.12 CANISTERS



TITLE: **UNICA START - 4 BOTT.**

DWG NO. **ESC340-YM000**

SCALE:1:5 LANGUAGE: ENGLISH FINISH: THICKNESS: SHEET 3 OF 7

PROPRIETARY AND CONFIDENTIAL
THE INFORMATION CONTAINED IN THIS
DRAWING IS THE SOLE PROPERTY OF
ENOMATIC. ANY REPRODUCTION IN
PART OR AS A WHOLE WITHOUT THE
WRITTEN PERMISSION OF ENOMATIC
IS PROHIBITED.

REV.	DESCRIPTION	DATE	EXECUTOR	CHK'D	APPV'D
CODE:	MATERIAL:				WEIGHT Kg:
/	/	/	/	/	/

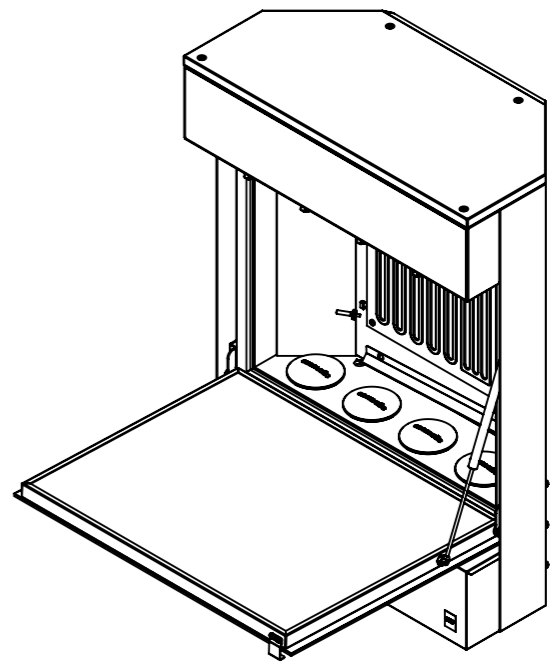
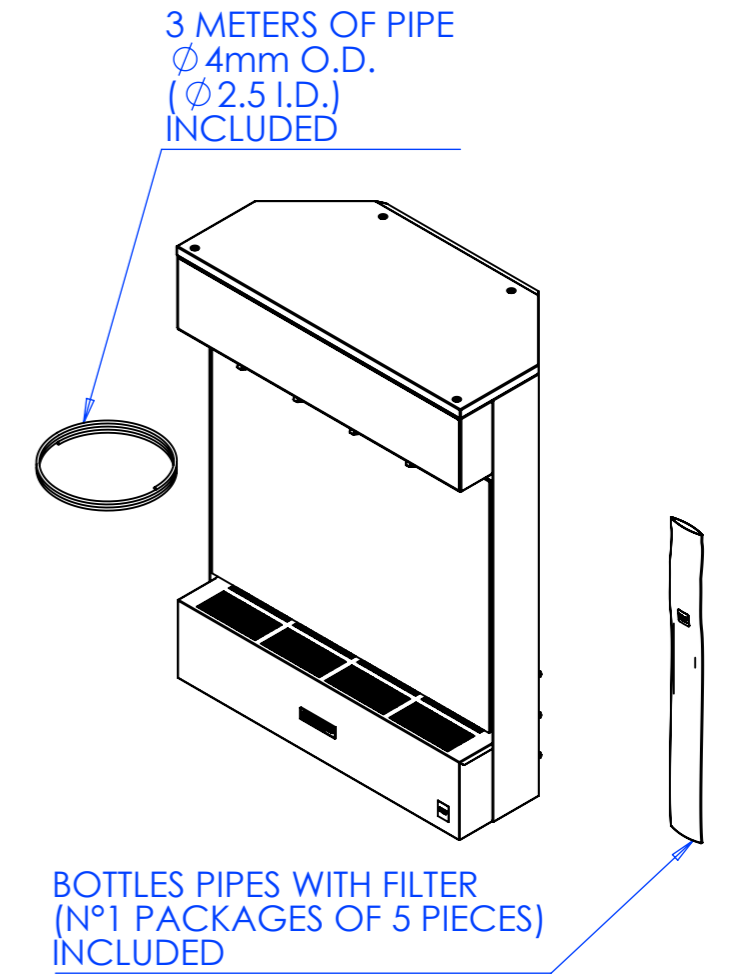
UNICA START - 4 BOTTLES						
SIZE	HEIGHT (MIN -MAX)	704 mm [27.72]				
	DEPTH	317 mm [12.48]				
	WIDTH	531 mm [20.91]				
WEIGHT (Kg)	33 Kg					
FINISH MATERIALS	STAINLESS STEEL AISI 304 - GLASS					
ELETRICAL FEATURES	AVAILABLE MODEL	VOLTAGE (V)	100	120	127	220-240
		FREQUENCY (Hz)	50-60	60	60	50-60
	R600a	AMPS (A)	1.1	1	1.1	0.5
REFRIGERATION SPECIFICATION	REFRIGERATION GAS	R600a				
	TEMPERATURE CONTROL	ELECTRONIC CONTROLLER				
	DEFROST METHOD	AUTOMATIC VIA ELECTRONIC CONTROLLER				
	TEMPERATURE SETTING	LED				
PRESSURE GAS INLET FOR TAPS (ARGON OR NITROGEN)		MPa 0.4÷0.6 (4÷6 Bar)				
ACCEPTED BOTTLES	HEIGHT	233÷350mm [8.66÷14.37]				
	Ø MAX	105 mm [4.13]				

NOTE

- ALL DIMENSIONS ARE IN mm [inches]

PROPRIETARY AND CONFIDENTIAL
 THE INFORMATION CONTAINED IN THIS DRAWING IS THE SOLE PROPERTY OF ENOMATIC. ANY REPRODUCTION IN PART OR AS A WHOLE WITHOUT THE WRITTEN PERMISSION OF ENOMATIC IS PROHIBITED.

REV.	DESCRIPTION	DATE	EXECUTOR	CHK'D	APPV'D
CODE:	MATERIAL:				WEIGHT Kg:
/	/	/			/

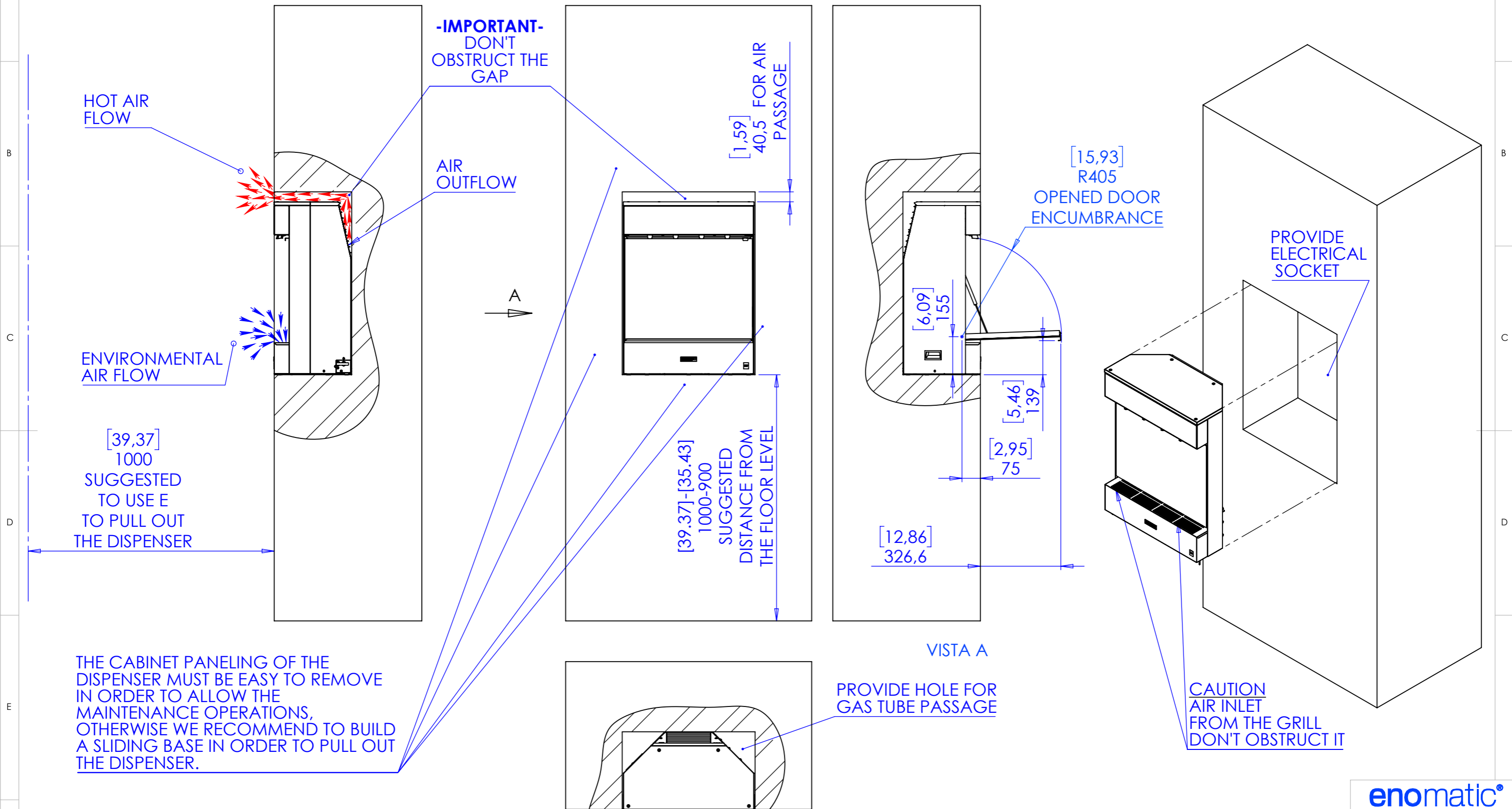


TITLE: **UNICA START - 4 BOTT.**

DWG NO. **ESC340-YM000**

SCALE:1:10 LANGUAGE: ENGLISH FINISH: THICKNESS: SHEET 4 OF 7

1 - EXAMPLE OF INSTALLATION - POSITIONING IN FORESEEN BOX (REFER TO MINIMAL REQUIRED CLEARANCE FOR PROPER PERFORMANCES)



NOTE
 - WARNING: DO NOT INSTALL THE DISPENSER NEAR TO SOURCES OF HEAT OR HUMIDITY
 - ALL DIMENSIONS ARE IN mm [inches]

PROPRIETARY AND CONFIDENTIAL
 THE INFORMATION CONTAINED IN THIS DRAWING IS THE SOLE PROPERTY OF ENOMATIC. ANY REPRODUCTION IN PART OR AS A WHOLE WITHOUT THE WRITTEN PERMISSION OF ENOMATIC IS PROHIBITED.

REV.	DESCRIPTION	DATE	EXECUTOR	CHK'D	APPV'D
CODE:	MATERIAL:				WEIGHT Kg:
/	/	/	/	/	/



TITLE: **UNICA START - 4 BOTT.**

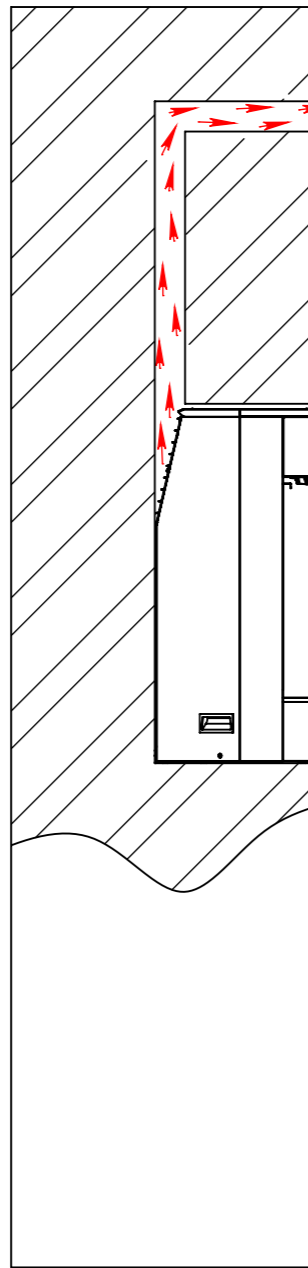
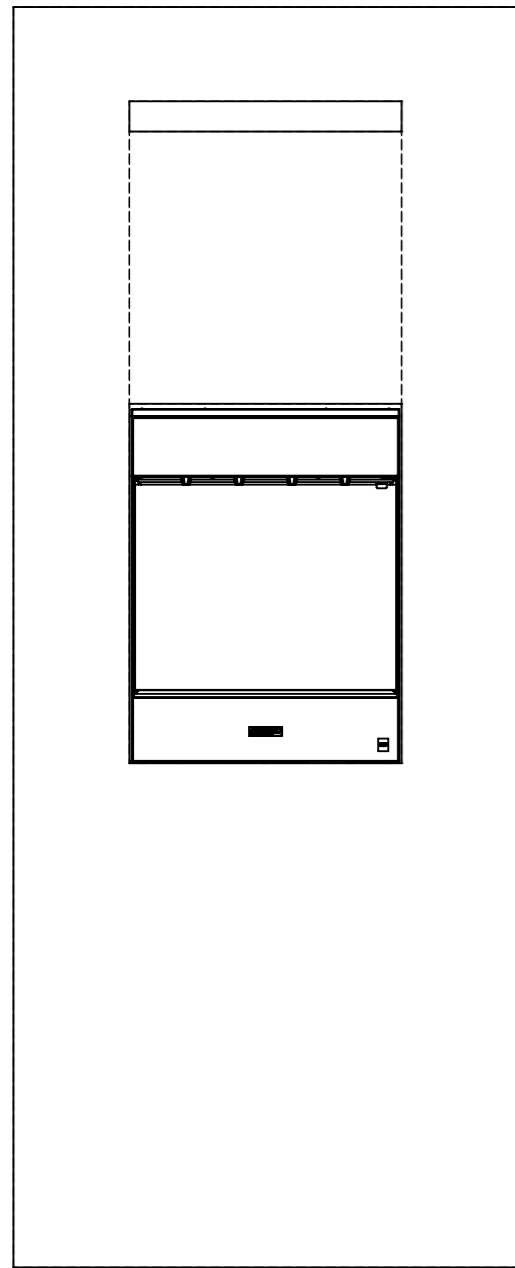
DWG NO. **ESC340-YM000**

SCALE: 1:15 LANGUAGE: ENGLISH FINISH: THICKNESS:

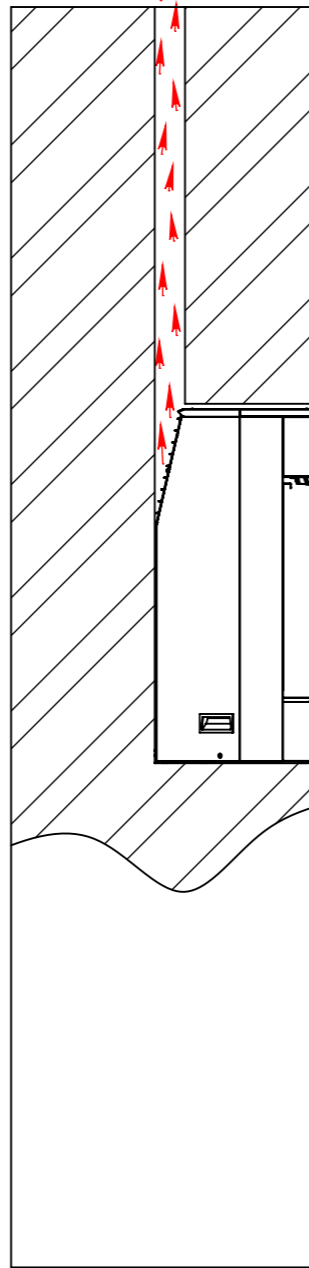
A3 SHEET 5 OF 7

QUOTE SENZA INDICAZIONI DI TOLLERANZA SECONDO UNI EN 22768 - mH DIMENSIONS WITHOUT TOLERANCE FIGURES, ACCORDING TO UNI EN 22768 - mH STANDARD

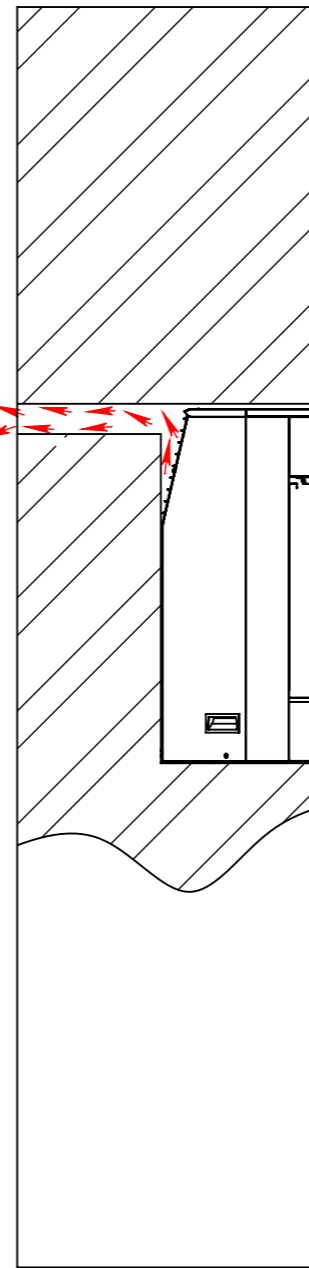
**2 - N°4 EXAMPLE OF INSTALLATION - BUILT-IN POSITIONING -
 PASSAGE OF AIR FOR EACH DISPENSER BIGGER OF 10000 mm² [15,5 in²]**



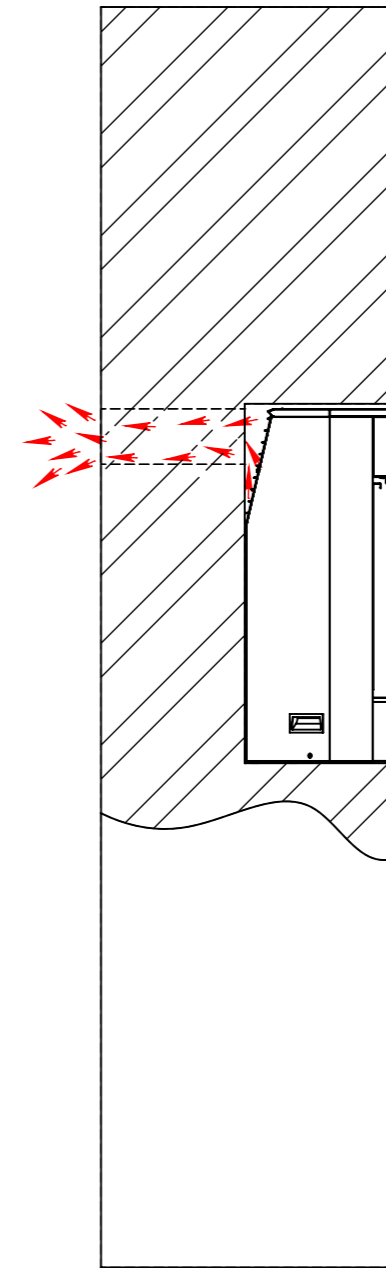
1



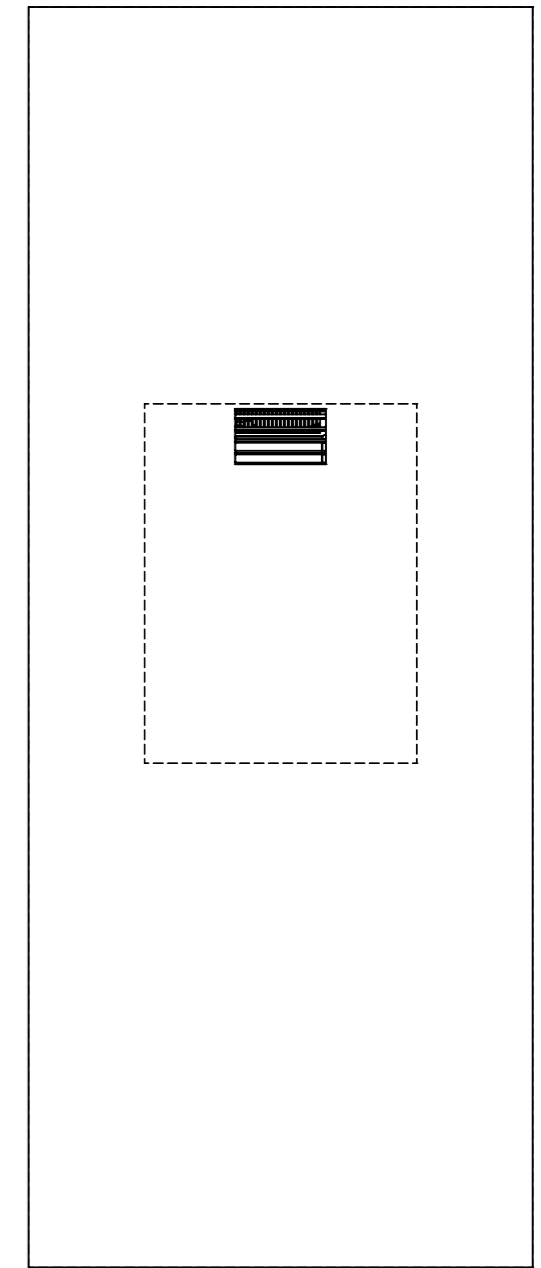
2



3



4



enomatic®
 wine serving systems

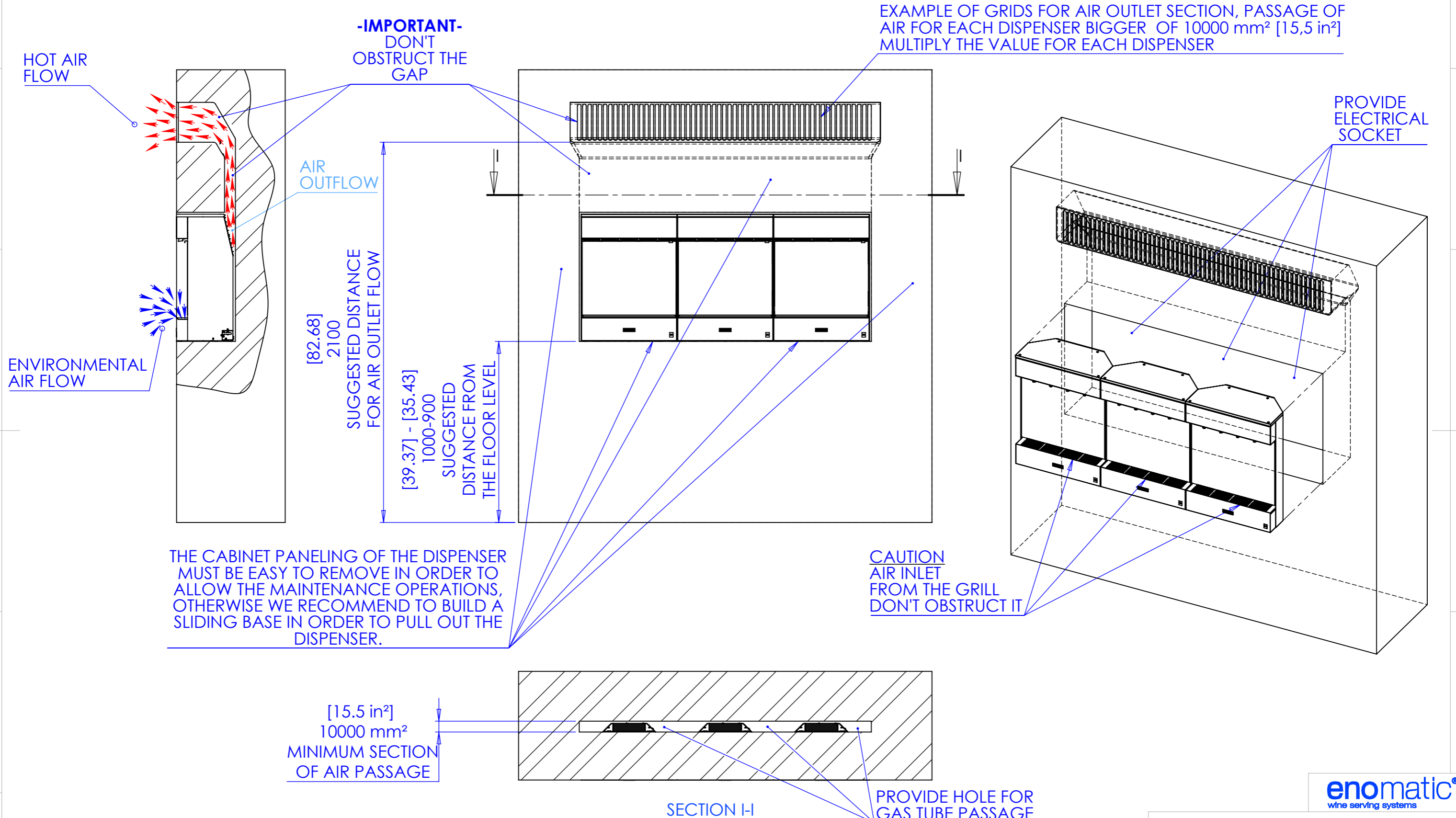
TITLE:
UNICA START - 4 BOTT.

PROPRIETARY AND CONFIDENTIAL
 THE INFORMATION CONTAINED IN THIS
 DRAWING IS THE SOLE PROPERTY OF
 ENOMATIC. ANY REPRODUCTION IN
 PART OR AS A WHOLE WITHOUT THE
 WRITTEN PERMISSION OF ENOMATIC
 IS PROHIBITED.

REV.	DESCRIPTION	DATE	EXECUTOR	CHK'D	APPV'D
CODE:	MATERIAL:				WEIGHT Kg:
/	/				/

DWG NO. **ESC340-YM000** A3
 QUOTE SENZA INDICAZIONI DI TOLLERANZA SECONDO UNI EN 22768 - mH
 DIMENSIONS WITHOUT TOLERANCE FIGURES, ACCORDING TO UNI EN 22768 - mH. STANDARD
 SCALE:1:15 LANGUAGE: ENGLISH FINISH: THICKNESS: SHEET 6 OF 7

3 - EXAMPLE OF INSTALLATION - POSITIONING IN FORESEEN BOX
(REFER TO MINIMAL REQUIRED CLEARANCE FOR PROPER PERFORMANCES)



NOTE
 - WARNING: DO NOT INSTALL THE DISPENSER NEAR TO SOURCES OF HEAT OR HUMIDITY
 - ALL DIMENSIONS ARE IN mm [inches]

PROPRIETARY AND CONFIDENTIAL
 THE INFORMATION CONTAINED IN THIS DRAWING IS THE SOLE PROPERTY OF ENOMATIC. ANY REPRODUCTION IN PART OR AS A WHOLE WITHOUT THE WRITTEN PERMISSION OF ENOMATIC IS PROHIBITED.

REV.	DESCRIPTION	DATE	EXECUTOR	CHK'D	APPV'D
CODE:	MATERIAL:				WEIGHT Kg:
/	/	/	/	/	/



TITLE: **UNICA START - 4 BOTT.**

DWG NO. **ESC340-YM000**

SCALE: 1:20 LANGUAGE: ENGLISH FINISH: THICKNESS:

A3 SHEET 7 OF 7