

enomatic
wine serving systems

TITLE:
UNICA BUBBLES 4 BOTT.

PROPRIETARY AND CONFIDENTIAL
THE INFORMATION CONTAINED IN THIS DRAWING IS THE SOLE PROPERTY OF ENOMATIC. ANY REPRODUCTION IN PART OR AS A WHOLE WITHOUT THE WRITTEN PERMISSION OF ENOMATIC IS PROHIBITED.

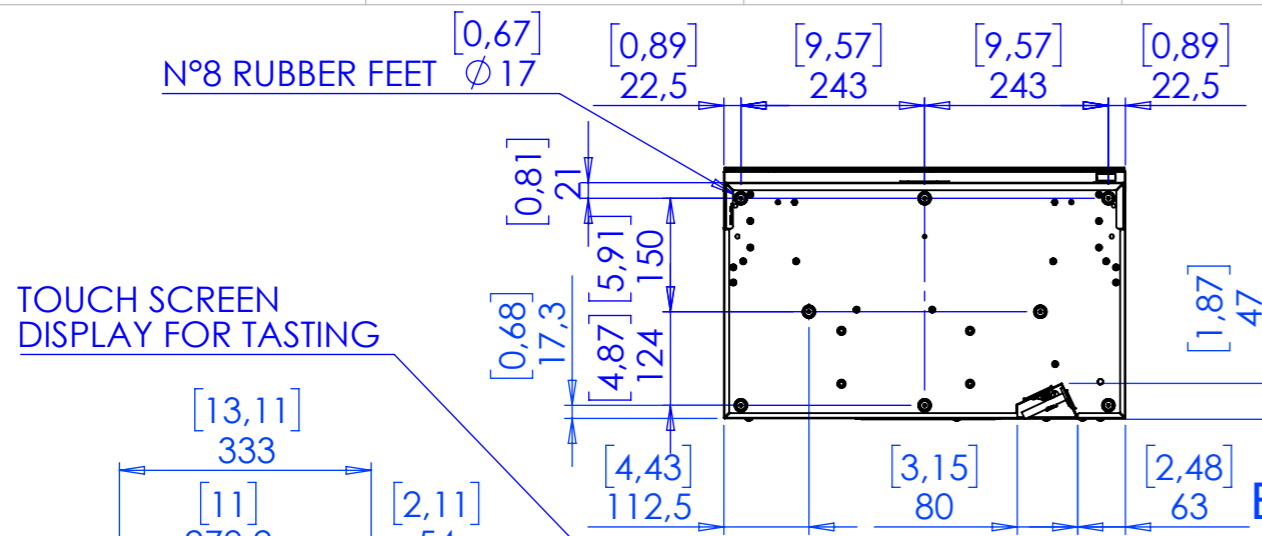
REV.	DESCRIPTION	DATE	EXECUTOR	CHK'D	APPV'D
1	GENERAL REVISION	01/12/2023			
0	ISSUE	25/10/2023	Francesco Panichi		

CODE:	MATERIAL:	WEIGHT Kg:
/	/	/

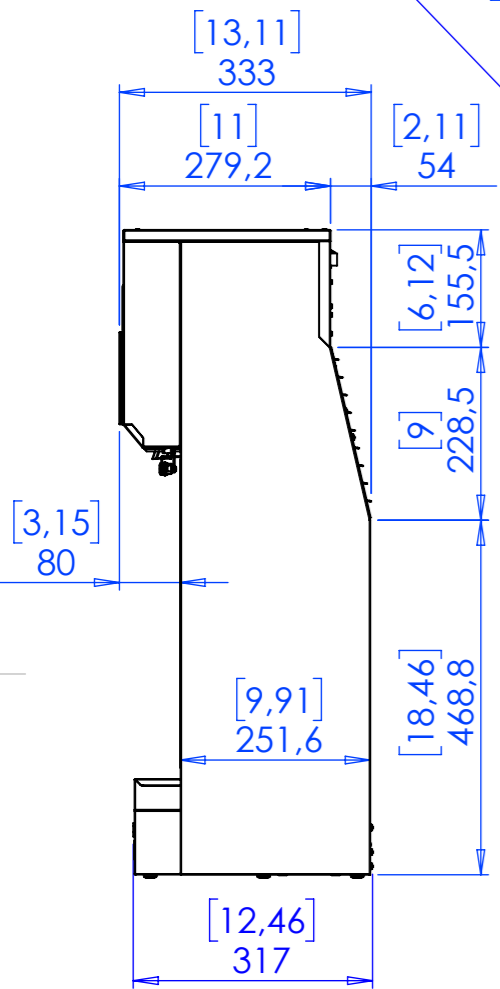
DWG NO. **ELF340-YM000** A3

QUOTE SENZA INDICAZIONI DI TOLLERANZA SECONDO UNI EN 22768 - mH
DIMENSIONS WITHOUT TOLERANCE FIGURES, ACCORDING TO UNI EN 22768 - mH STANDARD

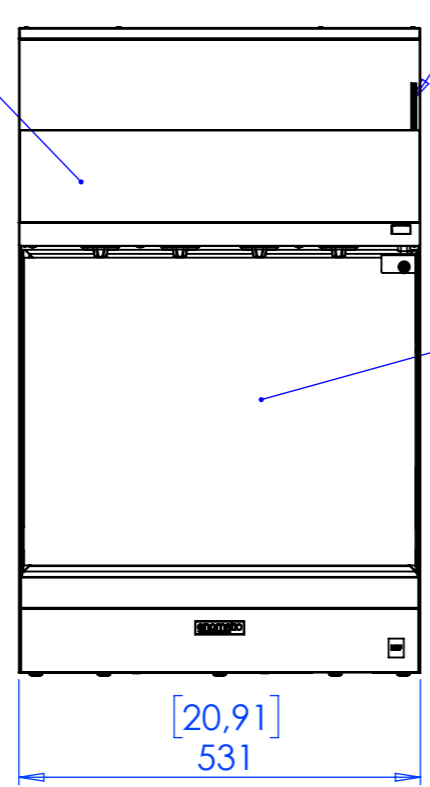
SCALE:1:5 LANGUAGE: ENGLISH FINISH: THICKNESS: SHEET 1 OF 7



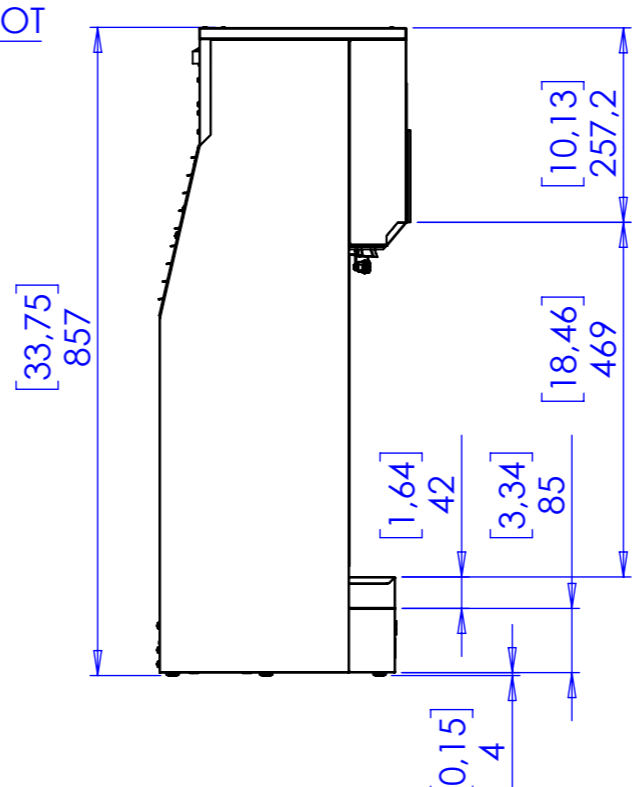
BOTTOM VIEW



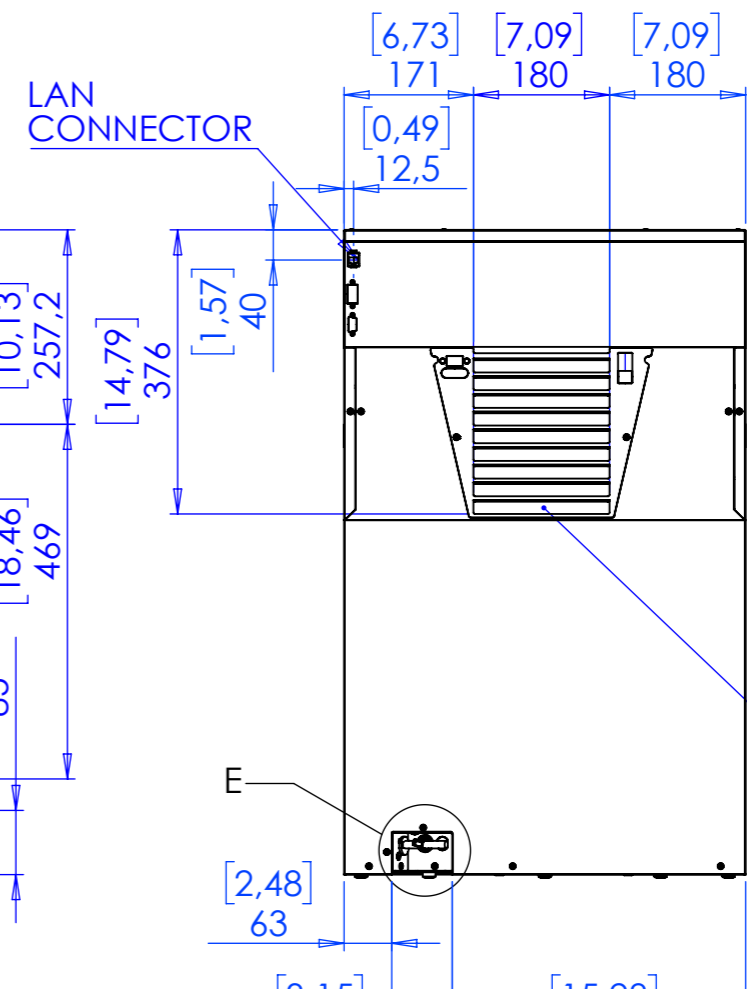
RIGHT SIDE



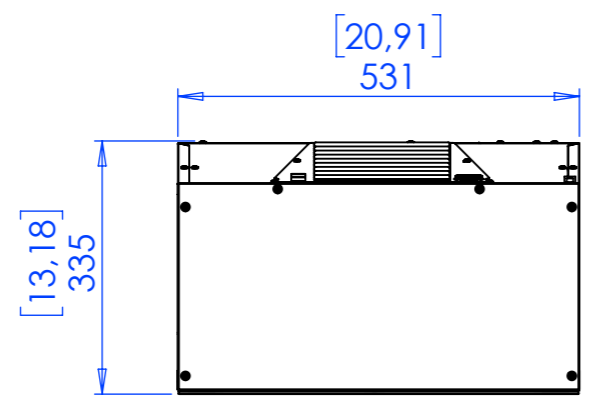
FRONT VIEW



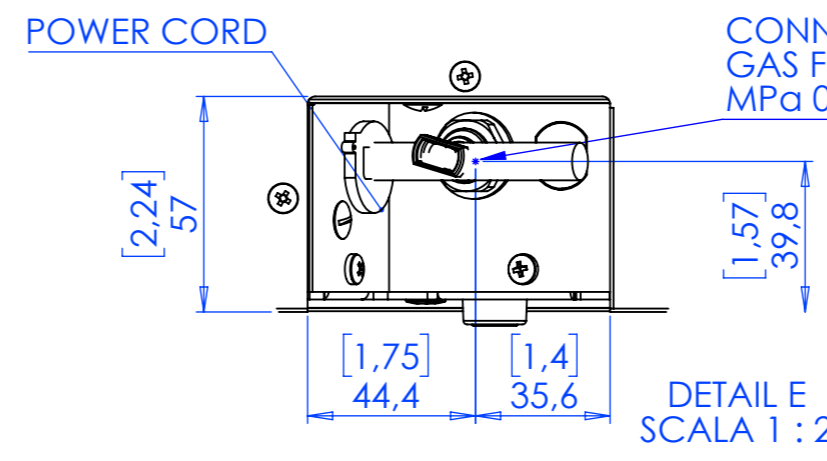
LEFT SIDE



REAR VIEW



TOP VIEW



NOTE
- ALL DIMENSIONS ARE IN mm [inches]

PROPRIETARY AND CONFIDENTIAL
THE INFORMATION CONTAINED IN THIS DRAWING IS THE SOLE PROPERTY OF ENOMATIC. ANY REPRODUCTION IN PART OR AS A WHOLE WITHOUT THE WRITTEN PERMISSION OF ENOMATIC IS PROHIBITED.

REV.	DESCRIPTION	DATE	EXECUTOR	CHK'D	APPV'D
CODE:	MATERIAL:				WEIGHT Kg:
/	/	/	/	/	/



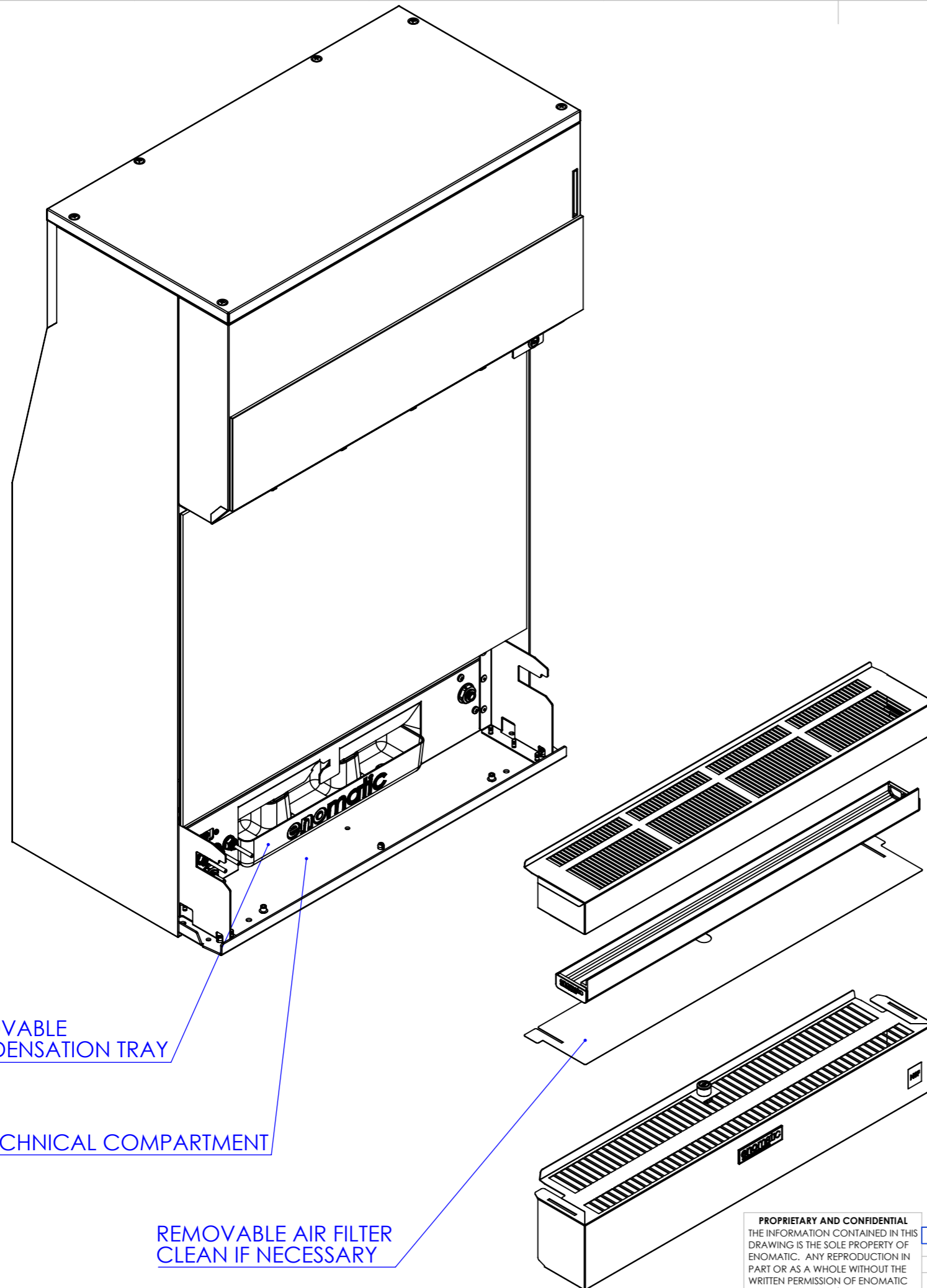
TITLE: **UNICA BUBBLES 4 BOTT.**

DWG NO. **ELF340-YM000**

SCALE: 1:10 LANGUAGE: ENGLISH FINISH: THICKNESS:

A3 SHEET 2 OF 7

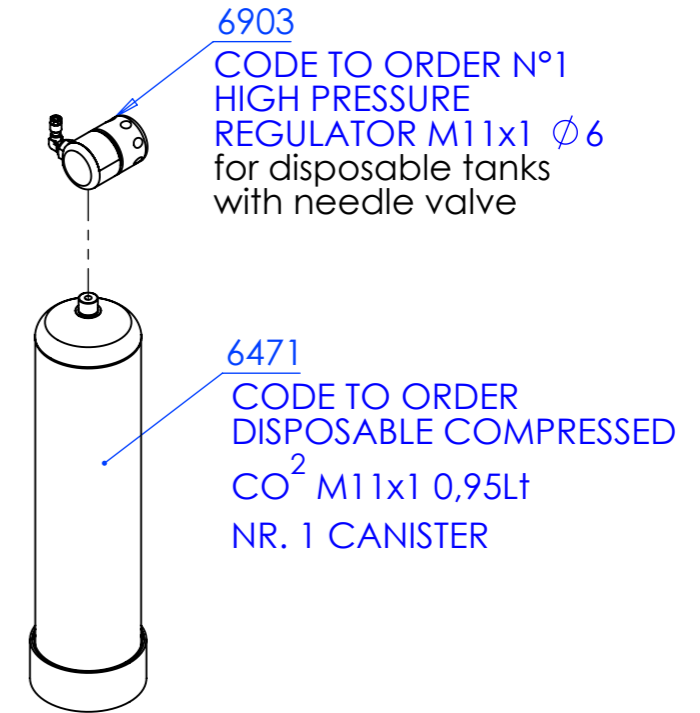
PRIMARY ACCESSORIES NOT INCLUDED



REMOVABLE
CONDENSATION TRAY

TECHNICAL COMPARTMENT

REMOVABLE AIR FILTER
CLEAN IF NECESSARY



6903
CODE TO ORDER N°1
HIGH PRESSURE
REGULATOR M11x1 Ø6
for disposable tanks
with needle valve

6471
CODE TO ORDER
DISPOSABLE COMPRESSED
CO² M11x1 0,95Lt
NR. 1 CANISTER

PROPRIETARY AND CONFIDENTIAL
THE INFORMATION CONTAINED IN THIS
DRAWING IS THE SOLE PROPERTY OF
ENOMATIC. ANY REPRODUCTION IN
PART OR AS A WHOLE WITHOUT THE
WRITTEN PERMISSION OF ENOMATIC
IS PROHIBITED.

REV.	DESCRIPTION	DATE	EXECUTOR	CHK'D	APPV'D
CODE:	MATERIAL:				WEIGHT Kg:
/	/	/	/	/	/



TITLE: **UNICA BUBBLES 4 BOTT.**

DWG NO. **ELF340-YM000** A3

QUOTE SENZA INDICAZIONI DI TOLLERANZA SECONDO UNI EN 22768 - mH
DIMENSIONS WITHOUT TOLERANCE FIGURES, ACCORDING TO UNI EN 22768 - mH STANDARD

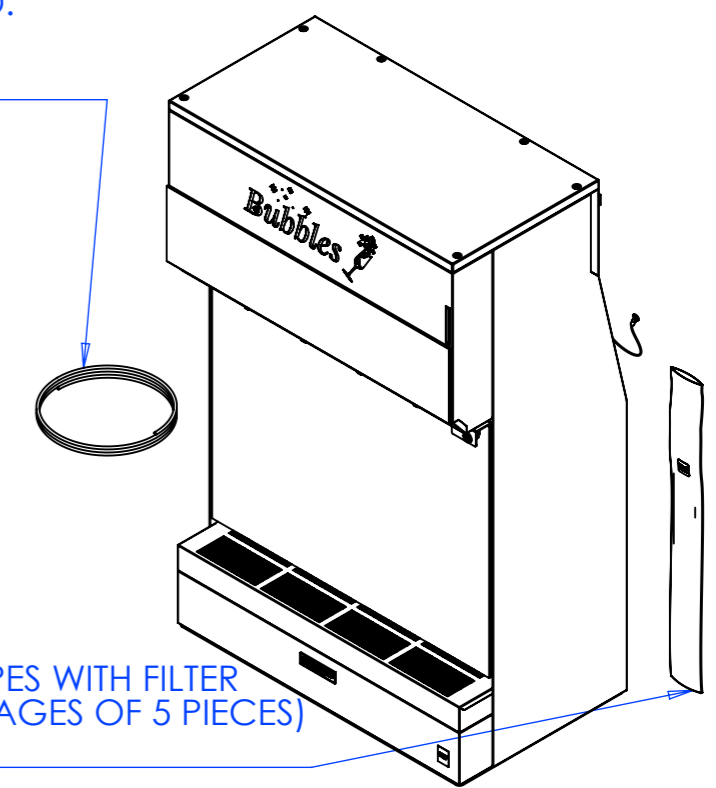
SCALE:1:5 LANGUAGE: ENGLISH FINISH: THICKNESS: SHEET 3 OF 7

UNICA BUBBLES - 4 BOTTLES						
SIZE	HEIGHT (MIN -MAX)	857 mm [33.75]				
	DEPTH	335 mm [13.18]				
	WIDTH	531 mm [20.91]				
WEIGHT (Kg)	42.5 Kg					
FINISH MATERIALS	STAINLESS STEEL AISI 304 - GLASS					
ELETRICAL FEATURES	AVAILABLE MODEL	VOLTAGE (V)	100	120	127	220-240
		FREQUENCY (Hz)	50-60	60	60	50-60
	R600a	AMPS (A)	1.1	-	1.1	0.5
	R290	AMPS (A)	-	1	-	-
REFRIGERATION SPECIFICATION	REFRIGERATION GAS	R600a / R290				
	TEMPERATURE CONTROL	ELECTRONIC CONTROLLER				
	DEFROST METHOD	AUTOMATIC/ MANUAL WITH ELECTRONIC CONTROLLER				
	METHOD FOR TEMPERATURES CONTROL	DIGITAL				
PRESSURE GAS INLET FOR TAPS (CARBON DIOXIDE)		MPa 0.4 ÷ 0.6 (4 ÷ 6 Bar)				
ACCEPTED BOTTLES	HEIGHT	240 ÷ 420mm [9.45÷16.45]				
	Ø MAX	105 mm [4.13]				

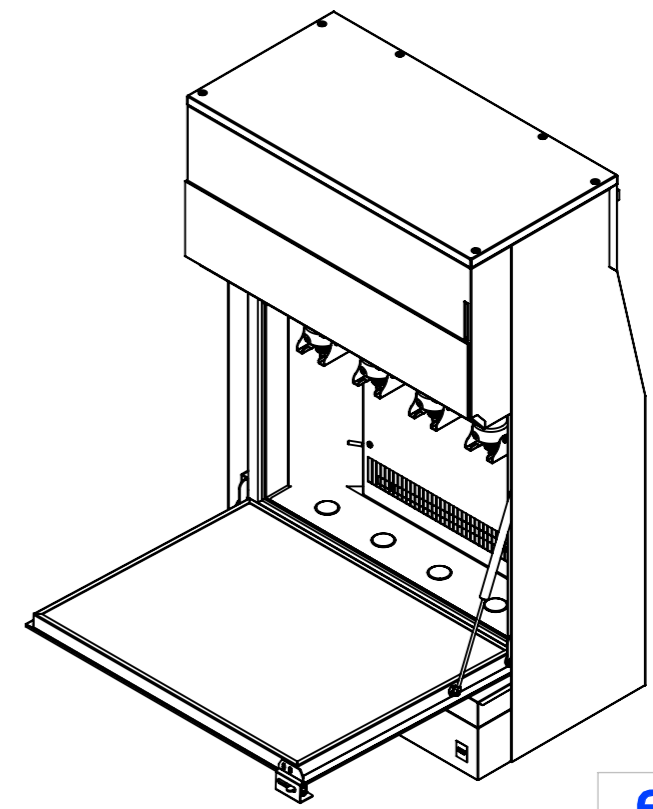
NOTE
- ALL DIMENSIONS ARE IN mm [inches]

PROPRIETARY AND CONFIDENTIAL
THE INFORMATION CONTAINED IN THIS DRAWING IS THE SOLE PROPERTY OF ENOMATIC. ANY REPRODUCTION IN PART OR AS A WHOLE WITHOUT THE WRITTEN PERMISSION OF ENOMATIC IS PROHIBITED.

3 METERS OF PIPE
Ø 6mm O.D.
(Ø 4 I.D.)
INCLUDED



BOTTLES PIPES WITH FILTER
(N°1 PACKAGES OF 5 PIECES)
INCLUDED

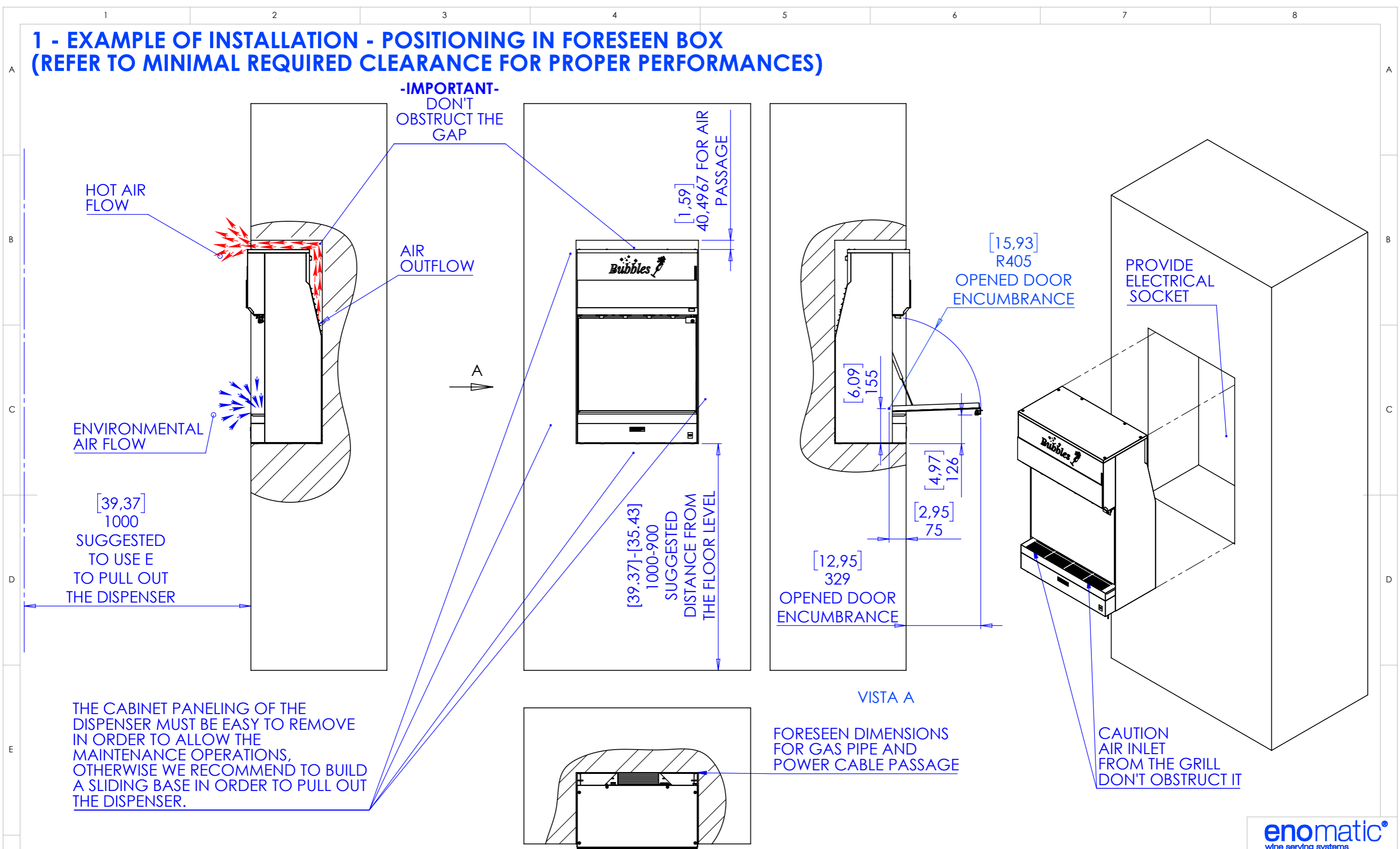


TITLE:
UNICA BUBBLES 4 BOTT.

REV.	DESCRIPTION	DATE	EXECUTOR	CHK'D	APPV'D
CODE:	MATERIAL:				WEIGHT Kg:
/	/	/	/	/	/

DWG NO.	ELF340-YM000	A3
QUOTE SENZA INDICAZIONI DI TOLLERANZA SECONDO UNI EN 22768 - mH DIMENSIONS WITHOUT TOLERANCE FIGURES, ACCORDING TO UNI EN 22768 - mH. STANDARD		
SCALE:1:10	LANGUAGE: ENGLISH	FINISH: THICKNESS:

1 - EXAMPLE OF INSTALLATION - POSITIONING IN FORESEEN BOX (REFER TO MINIMAL REQUIRED CLEARANCE FOR PROPER PERFORMANCES)



NOTE
 - WARNING: DO NOT INSTALL THE DISPENSER NEAR TO SOURCES OF HEAT OR HUMIDITY
 - ALL DIMENSIONS ARE IN mm [inches]

PROPRIETARY AND CONFIDENTIAL
 THE INFORMATION CONTAINED IN THIS DRAWING IS THE SOLE PROPERTY OF ENOMATIC. ANY REPRODUCTION IN PART OR AS A WHOLE WITHOUT THE WRITTEN PERMISSION OF ENOMATIC IS PROHIBITED.

REV.	DESCRIPTION	DATE	EXECUTOR	CHK'D	APPV'D
CODE:	MATERIAL:				WEIGHT Kg:
/	/	/	/	/	/



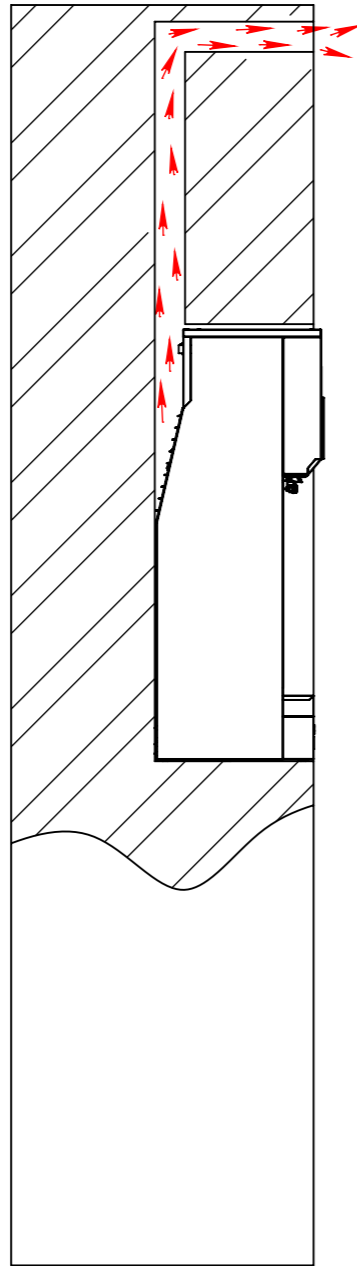
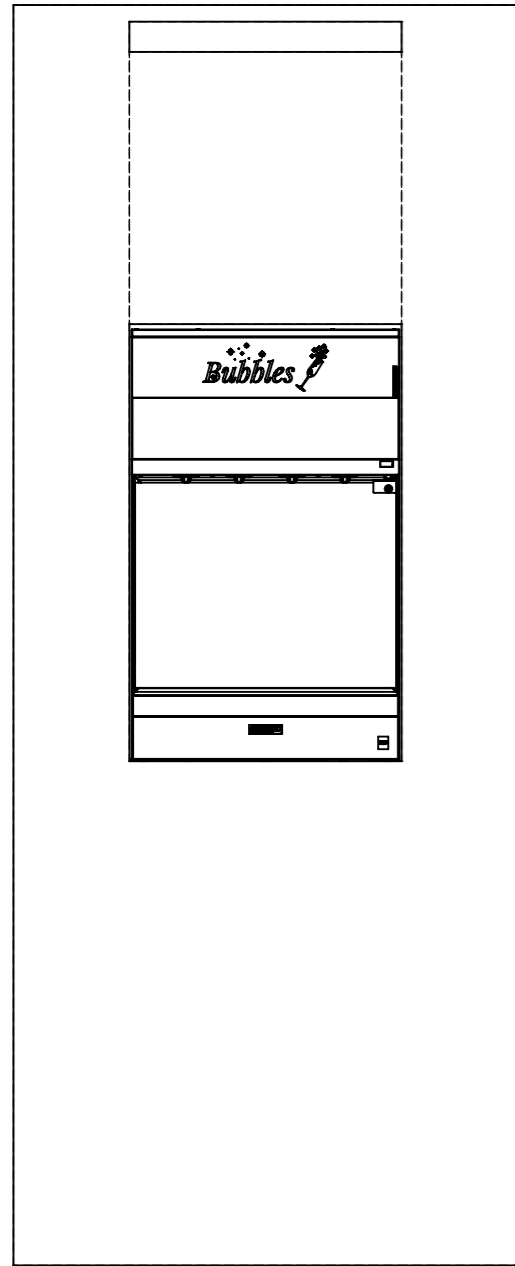
TITLE: **UNICA BUBBLES 4 BOTT.**

DWG NO. **ELF340-YM000**

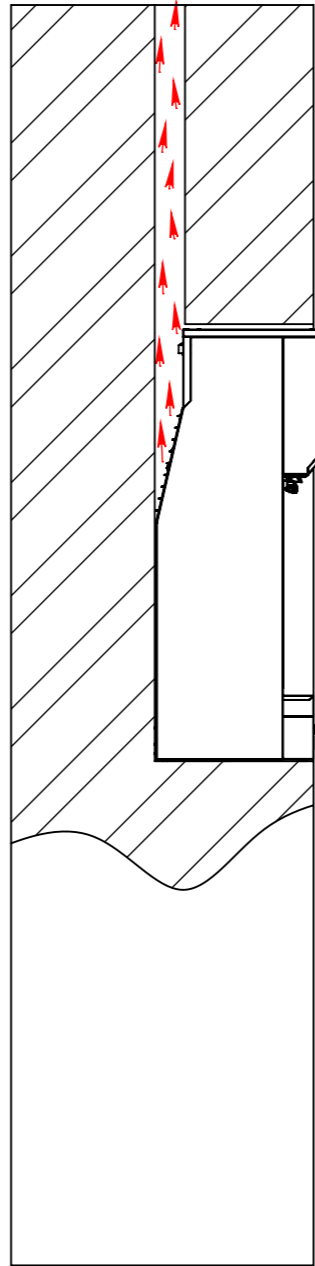
SCALE: 1:15 LANGUAGE: ENGLISH FINISH: THICKNESS:

A3 SHEET 5 OF 7

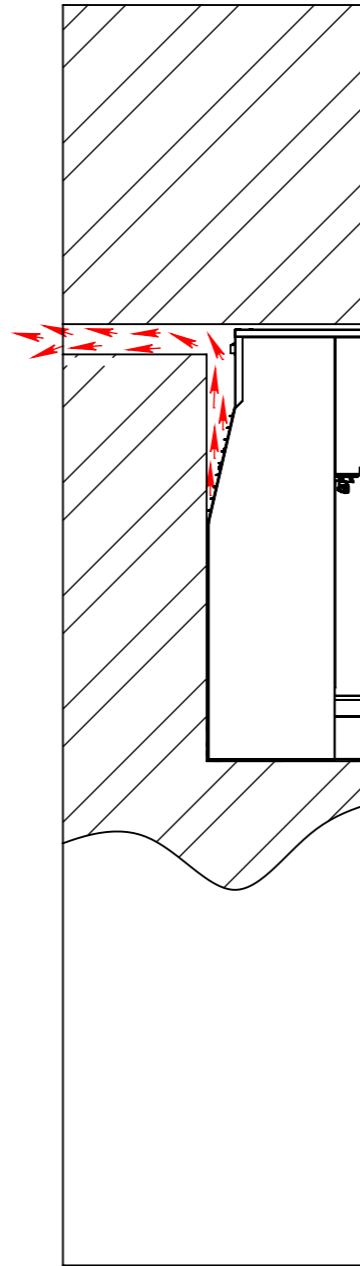
**2 -N°4 EXAMPLE OF INSTALLATION - BUILT-IN POSITIONING -
PASSAGE OF AIR FOR EACH DISPENSER BIGGER OF 10000 mm² [15,5 in²]**



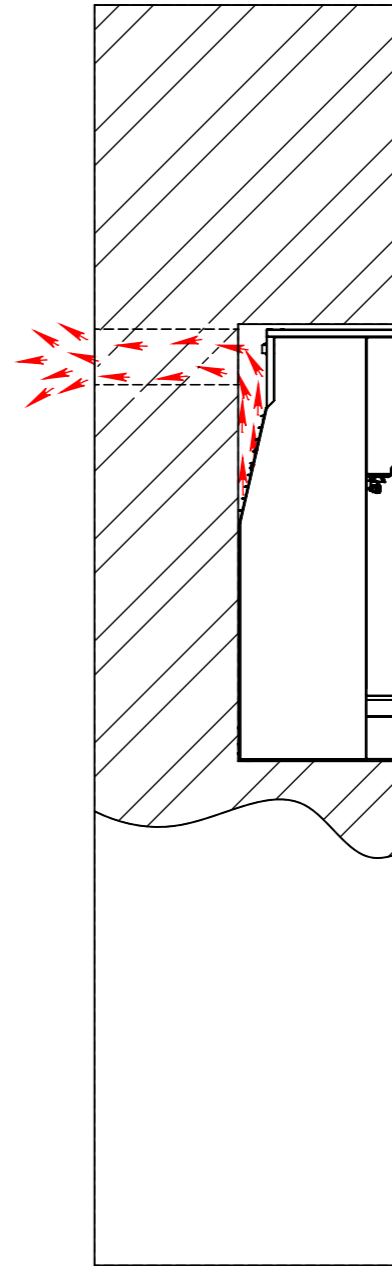
1



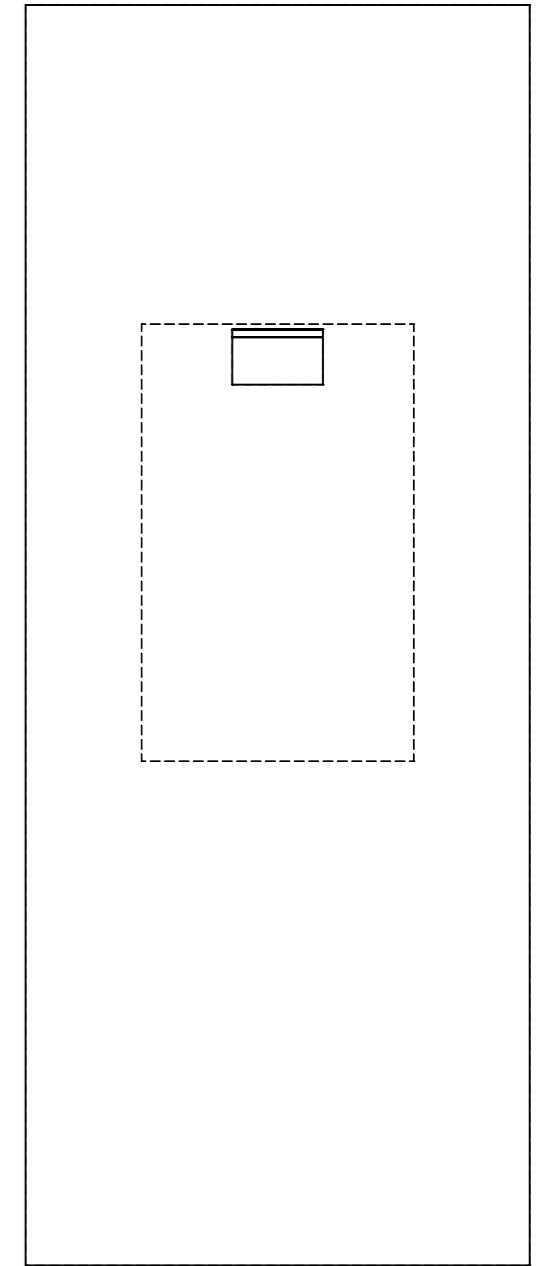
2



3



4



enomatic®
wine serving systems

TITLE:
UNICA BUBBLES 4 BOTT.

PROPRIETARY AND CONFIDENTIAL
THE INFORMATION CONTAINED IN THIS DRAWING IS THE SOLE PROPERTY OF ENOMATIC. ANY REPRODUCTION IN PART OR AS A WHOLE WITHOUT THE WRITTEN PERMISSION OF ENOMATIC IS PROHIBITED.

REV.	DESCRIPTION	DATE	EXECUTOR	CHK'D	APPV'D
CODE:	MATERIAL:				WEIGHT Kg:
/	/	/			/

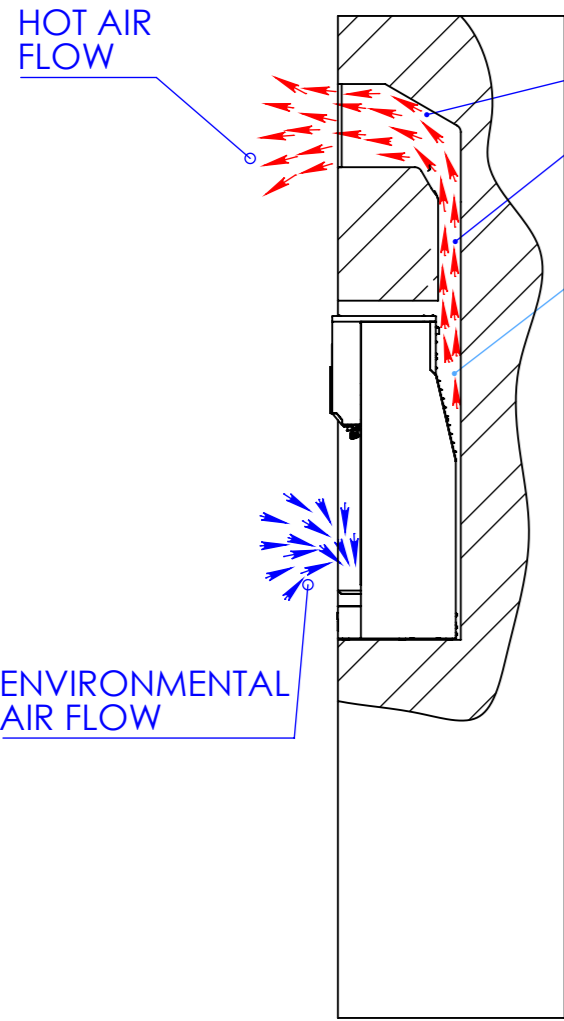
DWG NO. **ELF340-YM000**

A3

QUOTE SENZA INDICAZIONI DI TOLLERANZA SECONDO UNI EN 22768 - mH
DIMENSIONS WITHOUT TOLERANCE FIGURES, ACCORDING TO UNI EN 22768 - mH. STANDARD

SCALE:1:15 LANGUAGE: ENGLISH FINISH: THICKNESS: SHEET 6 OF 7

3 - EXAMPLE OF INSTALLATION - POSITIONING IN FORESEEN BOX (REFER TO MINIMAL REQUIRED CLEARANCE FOR PROPER PERFORMANCES)

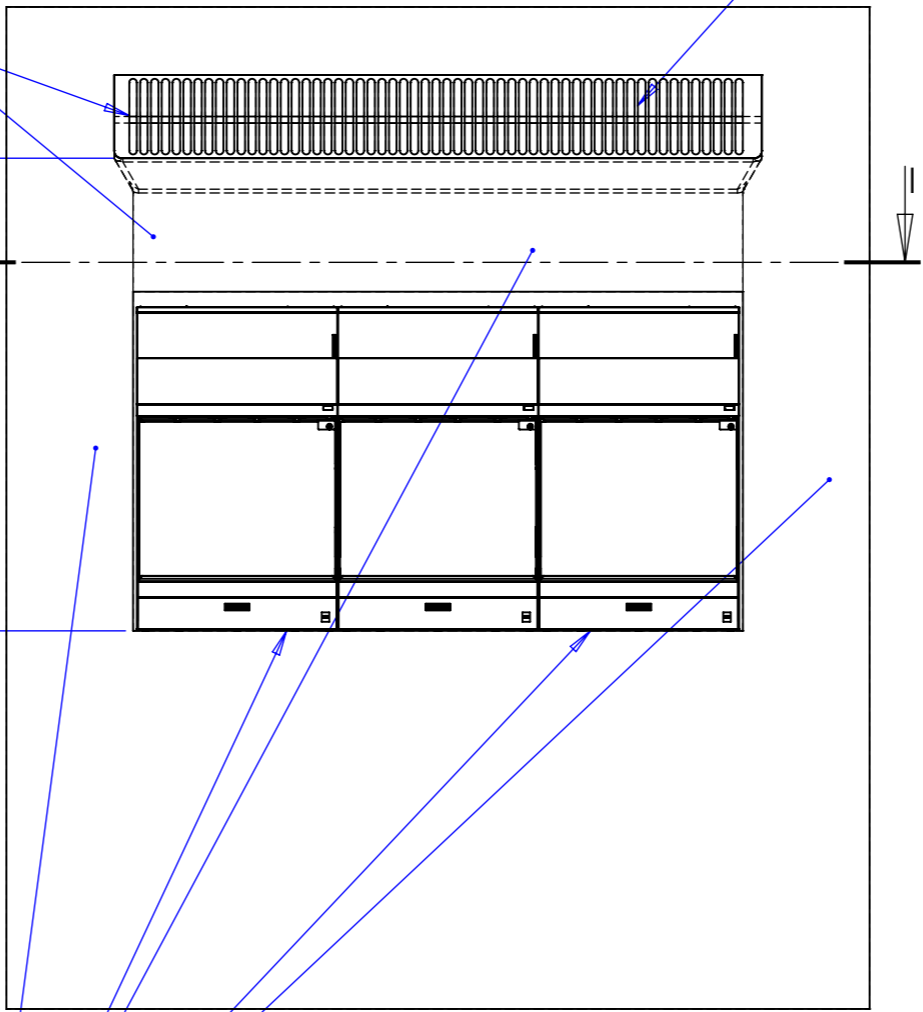


**-IMPORTANT-
DON'T
OBSTRUCT THE
GAP**

AIR
OUTFLOW

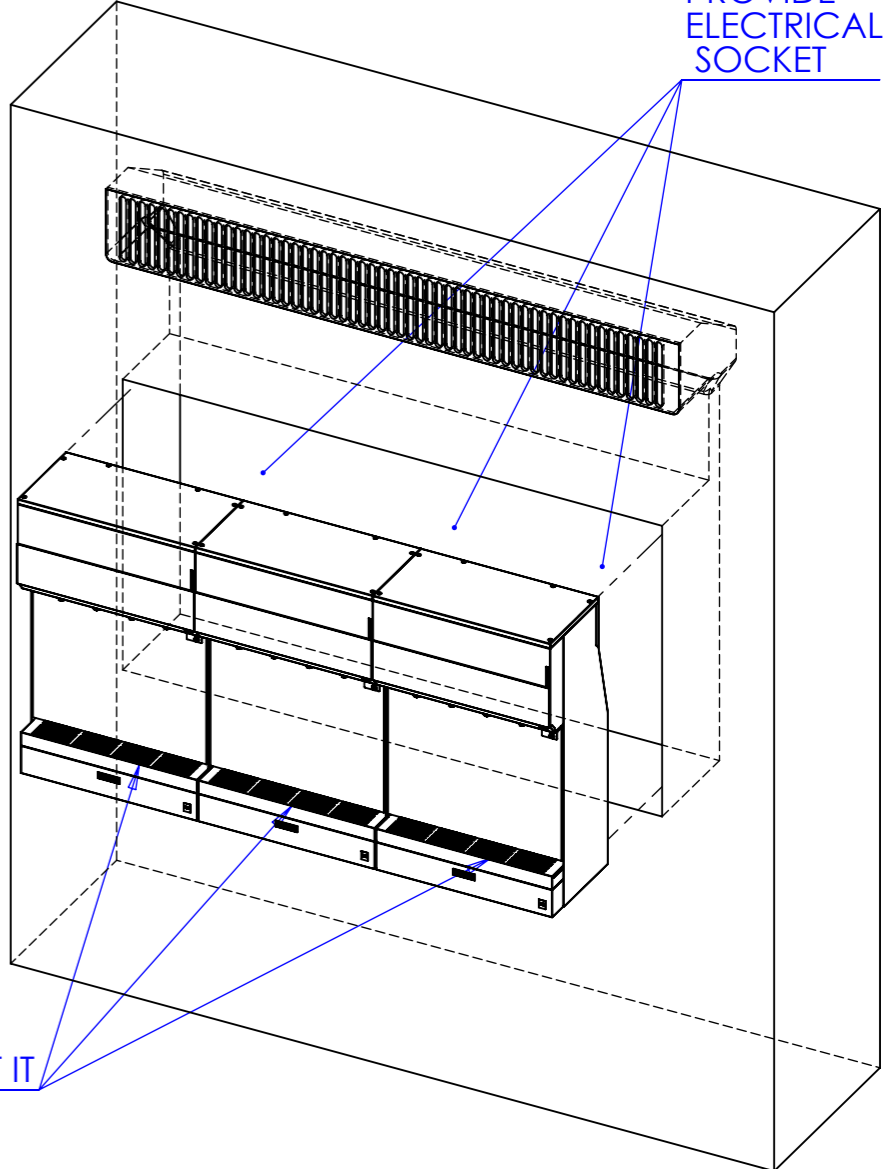
[82.68]
2250
SUGGESTED DISTANCE
FOR AIR OUTLET FLOW

[39.37] - [35.43]
1000-900
SUGGESTED
DISTANCE FROM
THE FLOOR LEVEL



EXAMPLE OF GRIDS FOR AIR OUTLET SECTION, PASSAGE OF AIR FOR EACH DISPENSER BIGGER OF 10000 mm² [15,5 in²] MULTIPLY THE VALUE FOR EACH DISPENSER

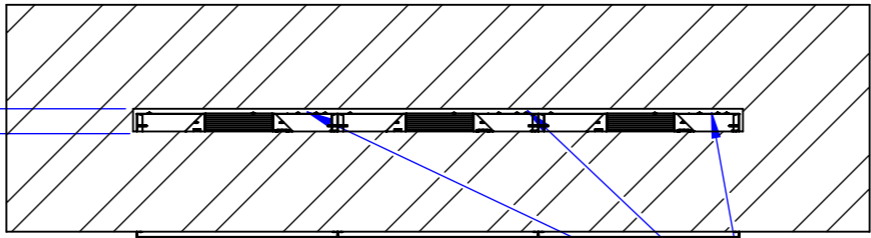
PROVIDE
ELECTRICAL
SOCKET



THE CABINET PANELING OF THE DISPENSER MUST BE EASY TO REMOVE IN ORDER TO ALLOW THE MAINTENANCE OPERATIONS, OTHERWISE WE RECOMMEND TO BUILD A SLIDING BASE IN ORDER TO PULL OUT THE DISPENSER.

CAUTION
AIR INLET
FROM THE GRILL
DON'T OBSTRUCT IT

[15.5 in²]
10000 mm²
MINIMUM SECTION
OF AIR PASSAGE



SECTION I-I

PROVIDE HOLE FOR
GAS TUBE PASSAGE

NOTE
- WARNING: DO NOT INSTALL THE DISPENSER NEAR TO SOURCES OF HEAT OR HUMIDITY
- ALL DIMENSIONS ARE IN mm [inches]

PROPRIETARY AND CONFIDENTIAL
THE INFORMATION CONTAINED IN THIS DRAWING IS THE SOLE PROPERTY OF ENOMATIC. ANY REPRODUCTION IN PART OR AS A WHOLE WITHOUT THE WRITTEN PERMISSION OF ENOMATIC IS PROHIBITED.

REV.	DESCRIPTION	DATE	EXECUTOR	CHK'D	APP'V'D
CODE:	MATERIAL:				WEIGHT Kg:
/	/	/	/	/	/



TITLE: **UNICA BUBBLES 4 BOTT.**

DWG NO. **ELF340-YM000**

SCALE: 1:20 LANGUAGE: ENGLISH FINISH: THICKNESS:

A3 SHEET 7 OF 7