

TITLE: **UNICA 4 BAG**

DWG NO. **EBC340-YM000**

SCALE: 1:5 LANGUAGE: ENGLISH FINISH: THICKNESS: SHEET 1 OF 7

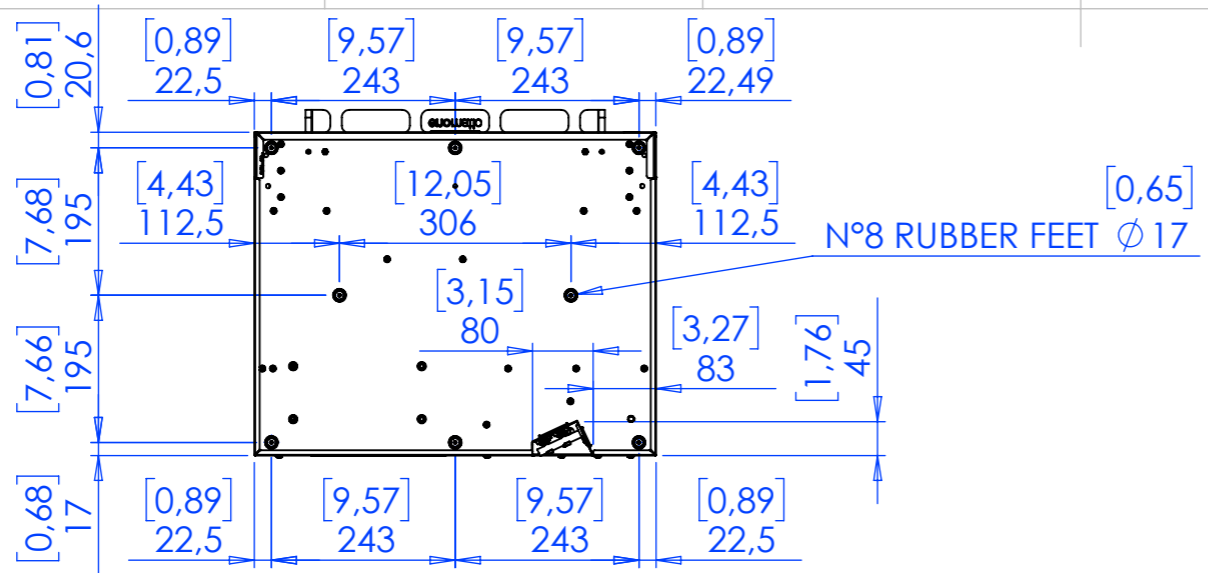
PROPRIETARY AND CONFIDENTIAL
 THE INFORMATION CONTAINED IN THIS DRAWING IS THE SOLE PROPERTY OF ENOMATIC. ANY REPRODUCTION IN PART OR AS A WHOLE WITHOUT THE WRITTEN PERMISSION OF ENOMATIC IS PROHIBITED.

REV.	DESCRIPTION	DATE	EXECUTOR	CHK'D	APPV'D
0	ISSUE	23/11/2021	PANICHI		
CODE: FITTG4E.....		MATERIAL:		WEIGHT Kg:	

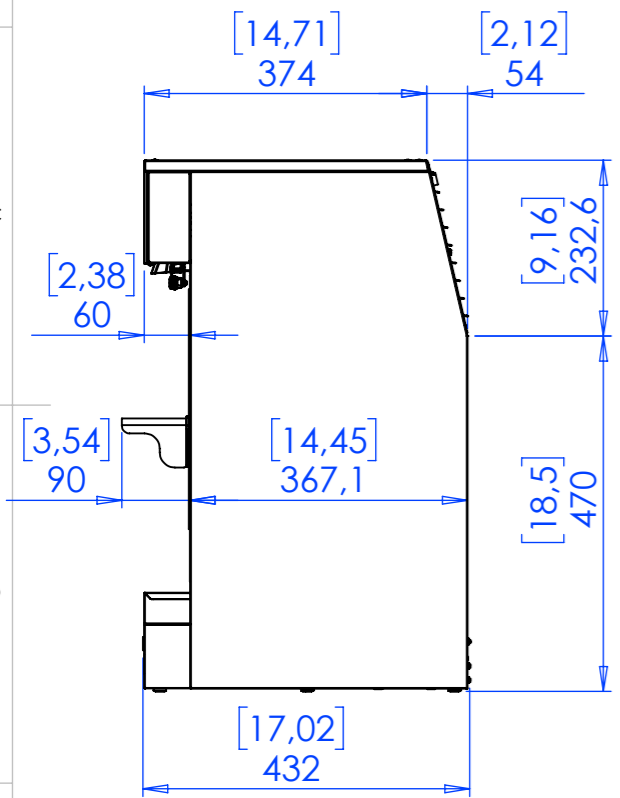
A3



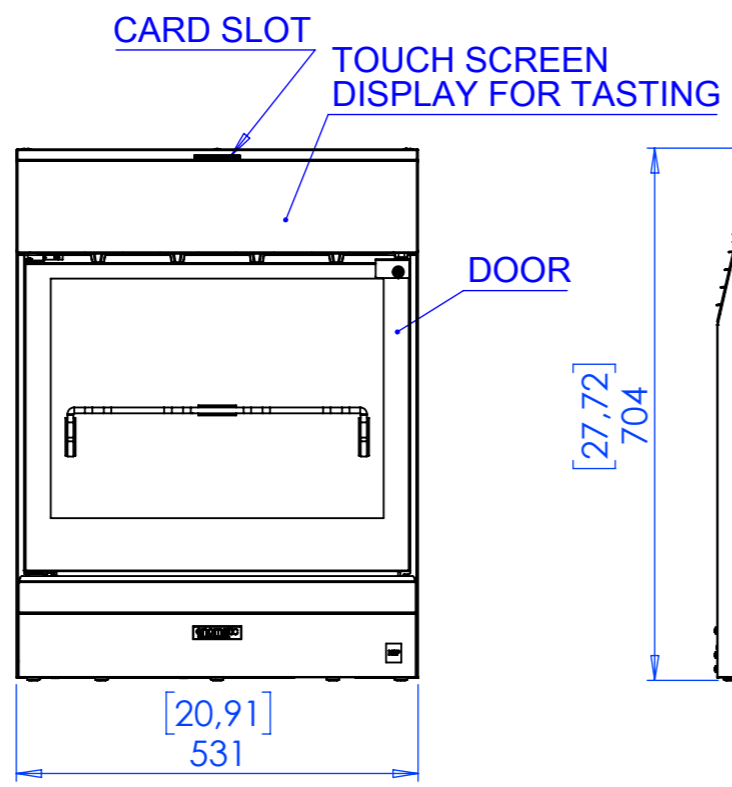
SHEET 1 OF 7



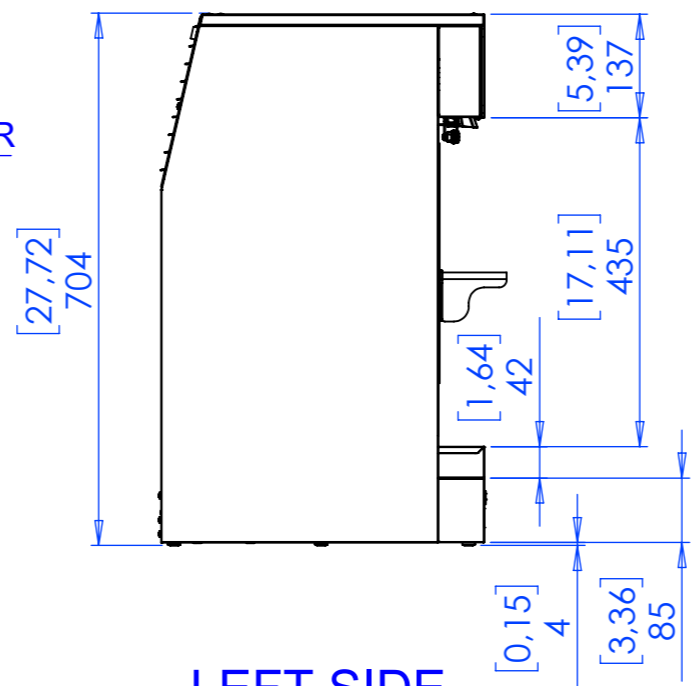
BOTTOM VIEW



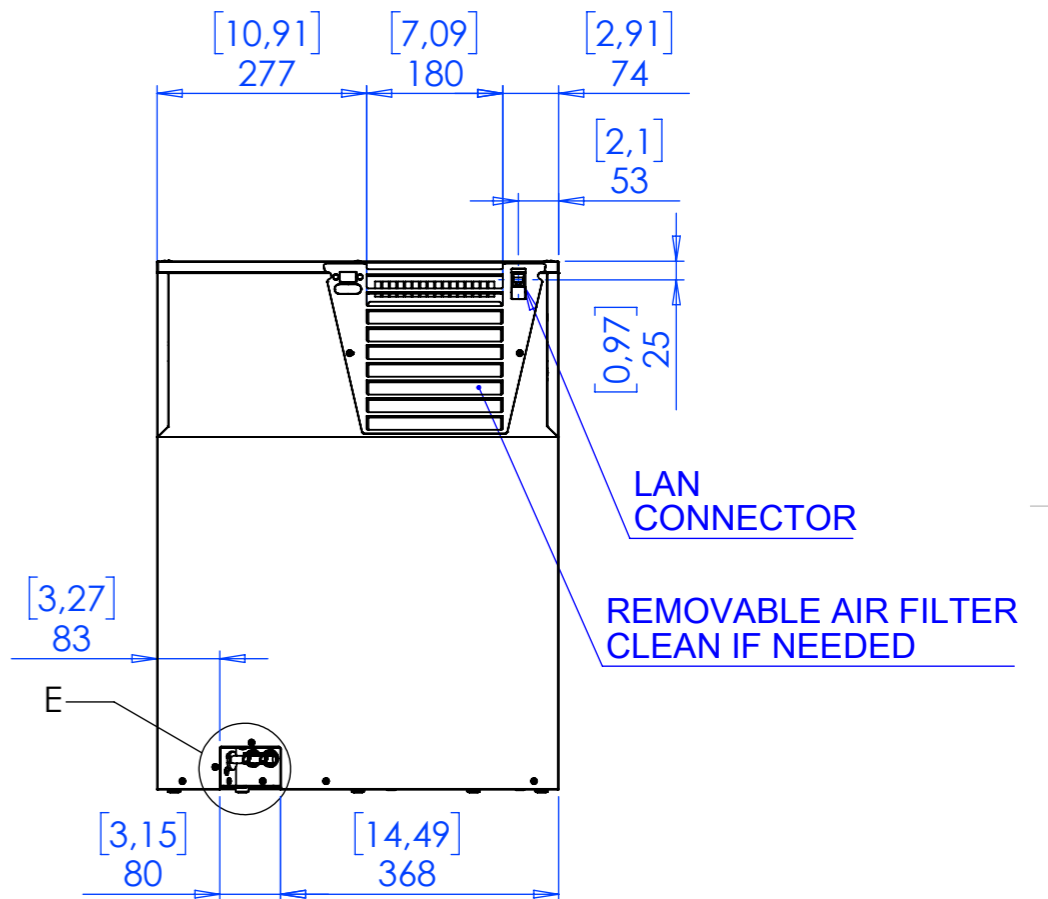
RIGHT SIDE



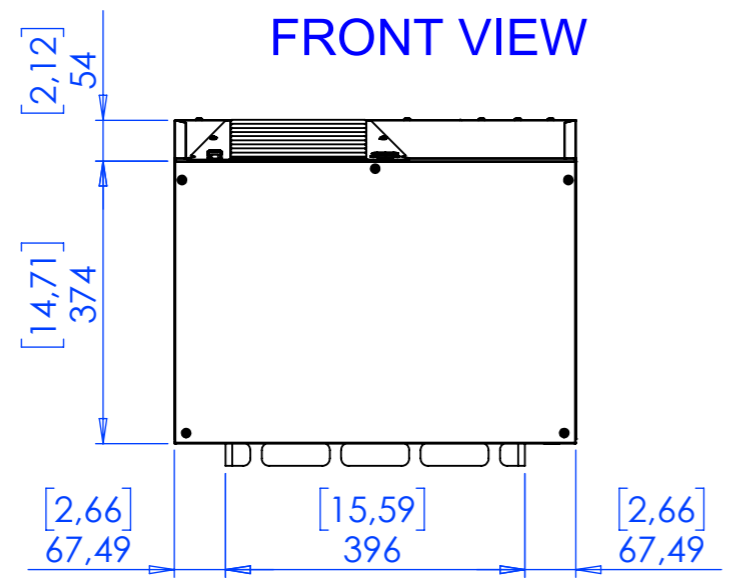
FRONT VIEW



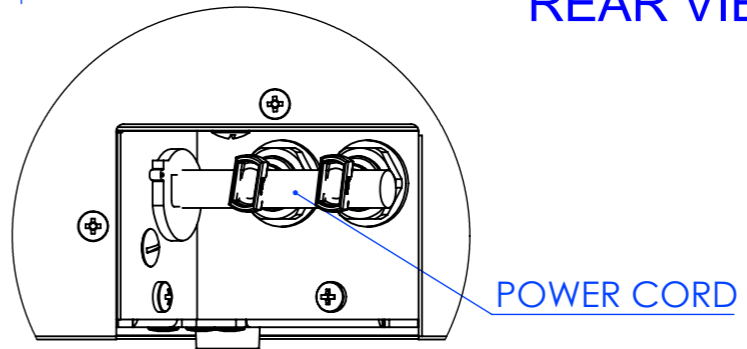
LEFT SIDE



REAR VIEW



TOP VIEW



NOTE
- ALL DIMENSIONS ARE IN mm [inches]

PROPRIETARY AND CONFIDENTIAL
THE INFORMATION CONTAINED IN THIS DRAWING IS THE SOLE PROPERTY OF ENOMATIC. ANY REPRODUCTION IN PART OR AS A WHOLE WITHOUT THE WRITTEN PERMISSION OF ENOMATIC IS PROHIBITED.

REV.	DESCRIPTION	DATE	EXECUTOR	CHK'D	APPV'D
CODE:	MATERIAL:				WEIGHT Kg:
FITG4E.....					

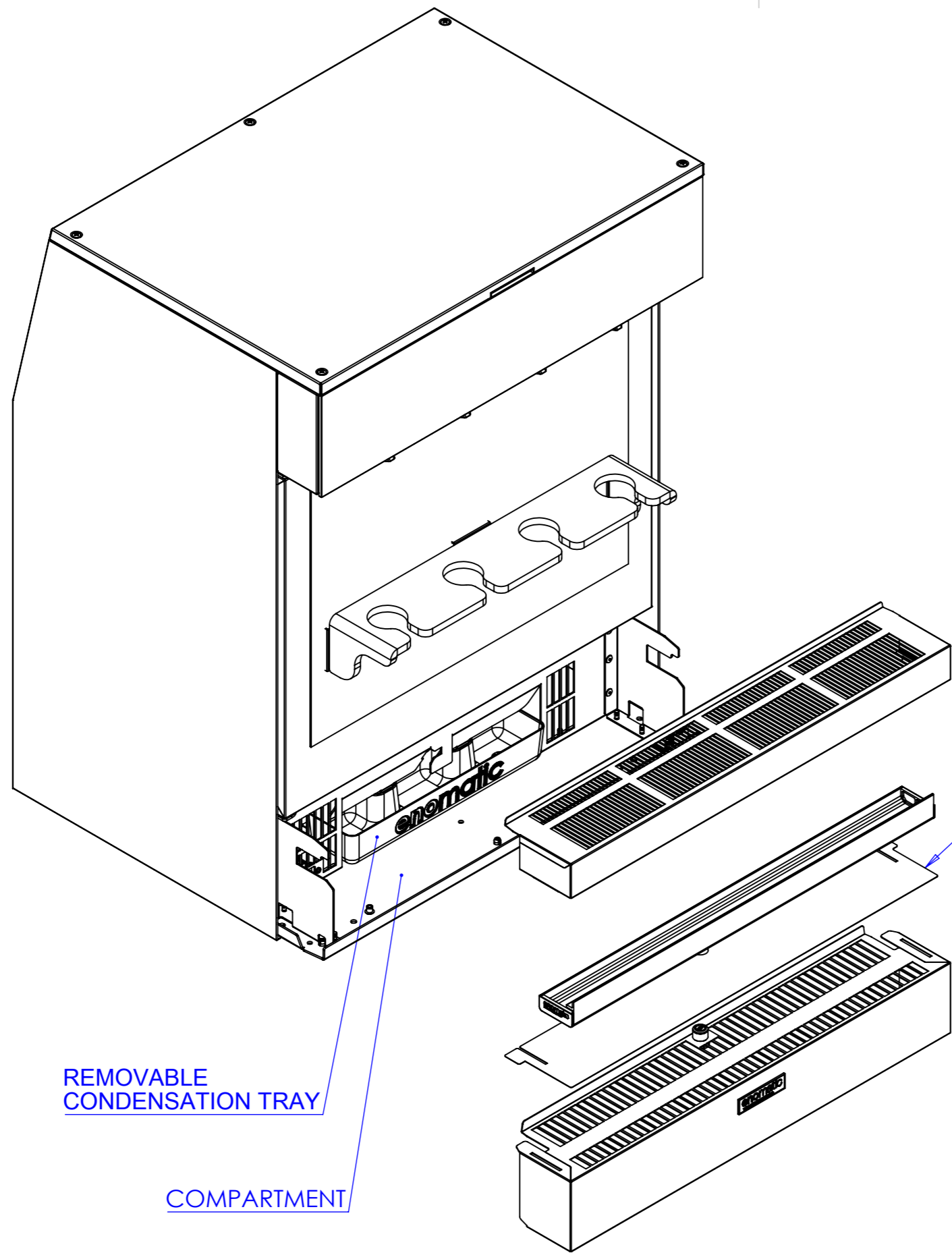


TITLE: **UNICA 4 BAG**

DWG NO. **EBC340-YM000**

SCALE: 1:10 LANGUAGE: ENGLISH FINISH: THICKNESS:

A3 SHEET 2 OF 7



REMOVABLE
CONDENSATION TRAY

COMPARTMENT

REMOVABLE AIR FILTER
CLEAN IF NEEDED

enomatic[®]
wine serving systems

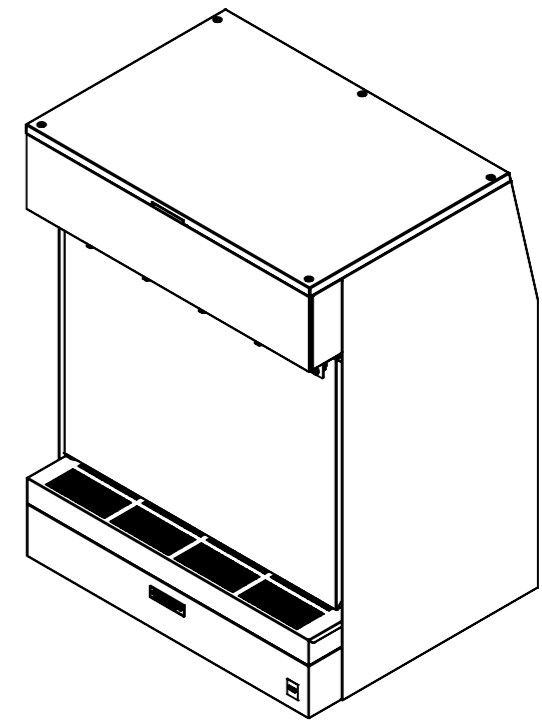
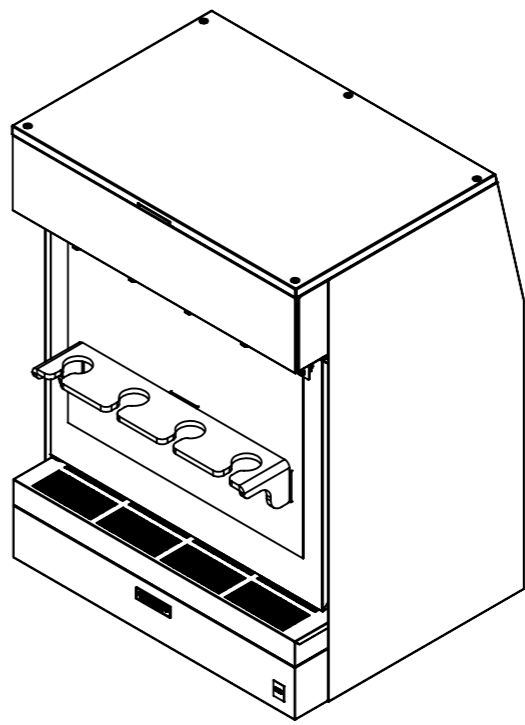
UNICA 4 BAG

PROPRIETARY AND CONFIDENTIAL
THE INFORMATION CONTAINED IN THIS
DRAWING IS THE SOLE PROPERTY OF
ENOMATIC. ANY REPRODUCTION IN
PART OR AS A WHOLE WITHOUT THE
WRITTEN PERMISSION OF ENOMATIC
IS PROHIBITED.

REV.	DESCRIPTION	DATE	EXECUTOR	CHK'D	APPV'D
CODE:	MATERIAL:				WEIGHT Kg:
FITG4E.....					

TITLE:	UNICA 4 BAG	
DWG NO.	EBC340-YM000	A3
<small>QUOTE SENZA INDICAZIONI DI TOLLERANZA SECONDO UNI EN 22768 - mH DIMENSIONS WITHOUT TOLERANCE FIGURES, ACCORDING TO UNI EN 22768 - mH STANDARD</small>		
SCALE:1:5	LANGUAGE: ENGLISH	FINISH: THICKNESS: SHEET 3 OF 7

UNICA 4 BAG					
SIZE	HEIGHT (MIN -MAX)	704 mm [27.72]			
	DEPTH	432 mm [17,02]			
	WIDTH	531 mm [20.91]			
WEIGHT (Kg)	37 Kg				
FINISH MATERIALS	STAINLESS STEEL AISI 304 - GLASS				
ELETRICAL FEATURES	AVAILABLE MODEL				
	VOLTAGE (V)	100	220-240	127	120
	FREQUENCY (Hz)	50-60	50-60	60	60
	POWER (W)	120	120	120	120
	AMPS (A)	1,1	0,5	1,1	1,1
REFRIGERATION SPECIFICATION	REFRIGERATION GAS	R-600a			R-290
	TEMPERATURE CONTROL	ELECTRONIC CONTROLLER			
	DEFROST METHOD	AUTOMATIC VIA ELECTRONIC CONTROLLER			
	METHOD FOR TEMPERATURES CONTROL	DIGITAL			
ACCEPTED BAG	5 LITERS MAX				

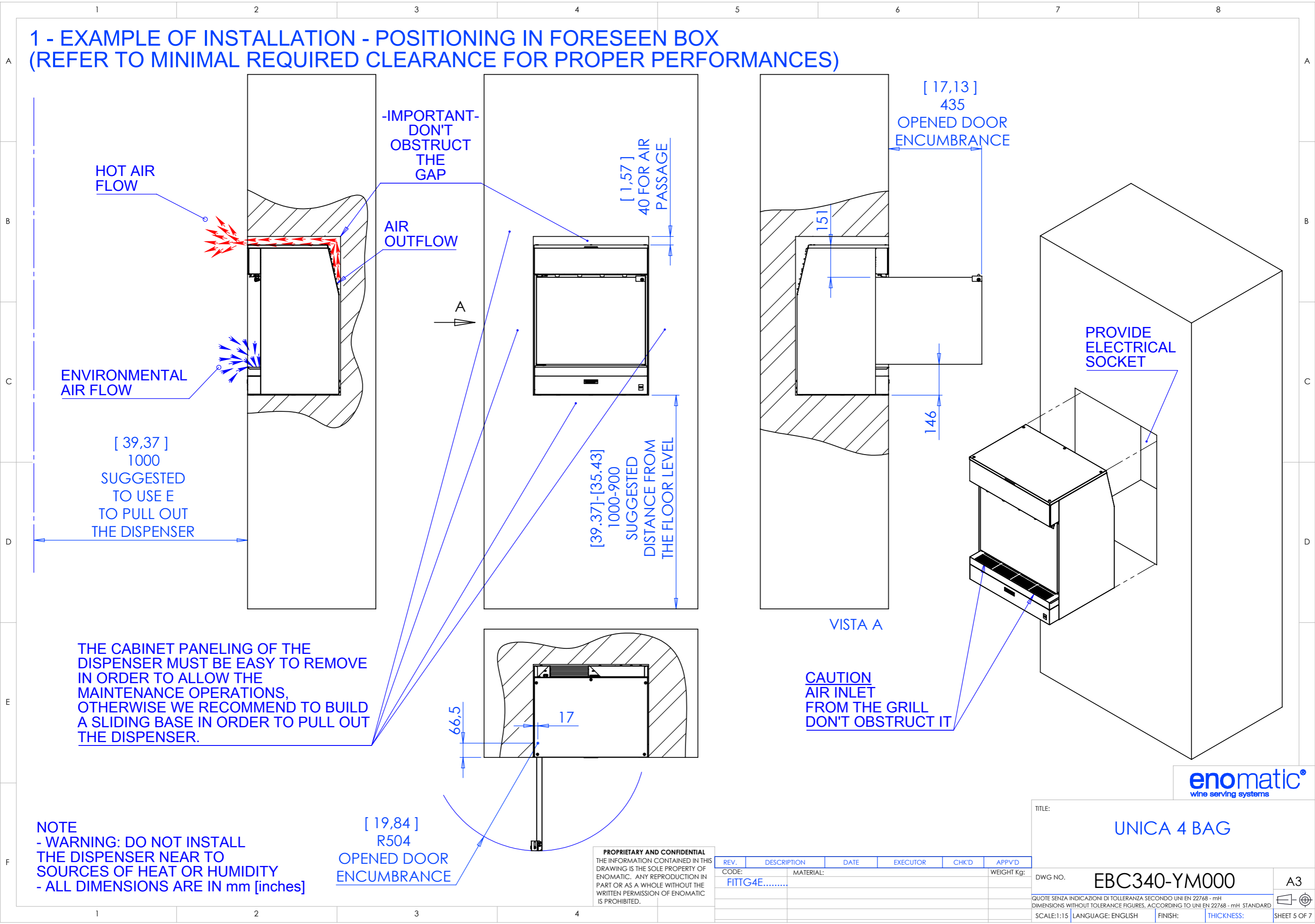


TITLE:	UNICA 4 BAG		
DWG NO.	EBC340-YM000		A3
SCALE:1:10	LANGUAGE: ENGLISH	FINISH:	THICKNESS:

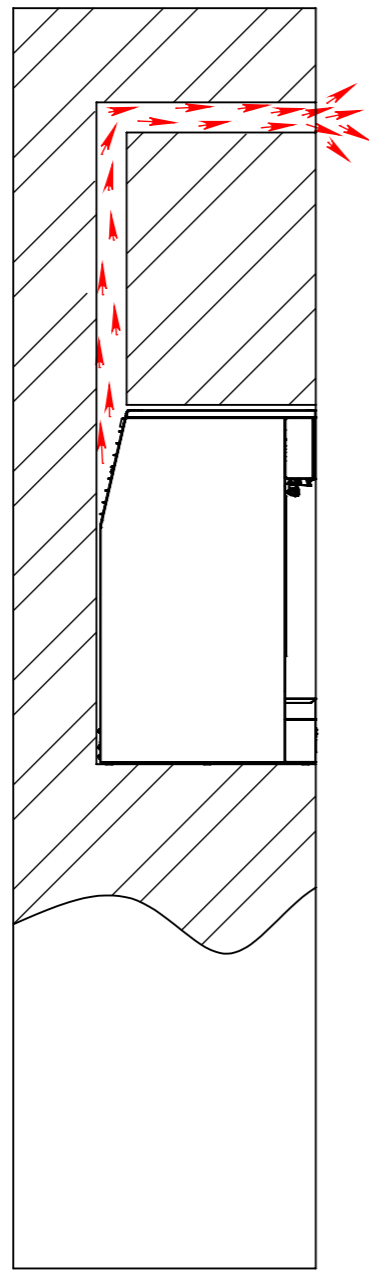
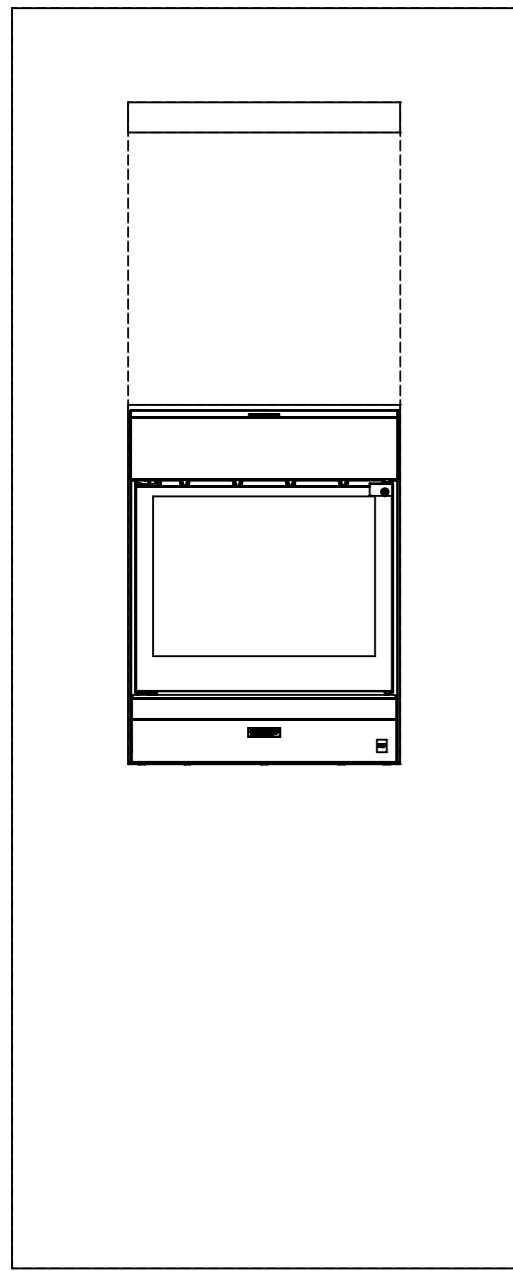
PROPRIETARY AND CONFIDENTIAL
 THE INFORMATION CONTAINED IN THIS DRAWING IS THE SOLE PROPERTY OF ENOMATIC. ANY REPRODUCTION IN PART OR AS A WHOLE WITHOUT THE WRITTEN PERMISSION OF ENOMATIC IS PROHIBITED.

REV.	DESCRIPTION	DATE	EXECUTOR	CHK'D	APPV'D
CODE:	MATERIAL:			WEIGHT Kg:	
FITG4E.....					

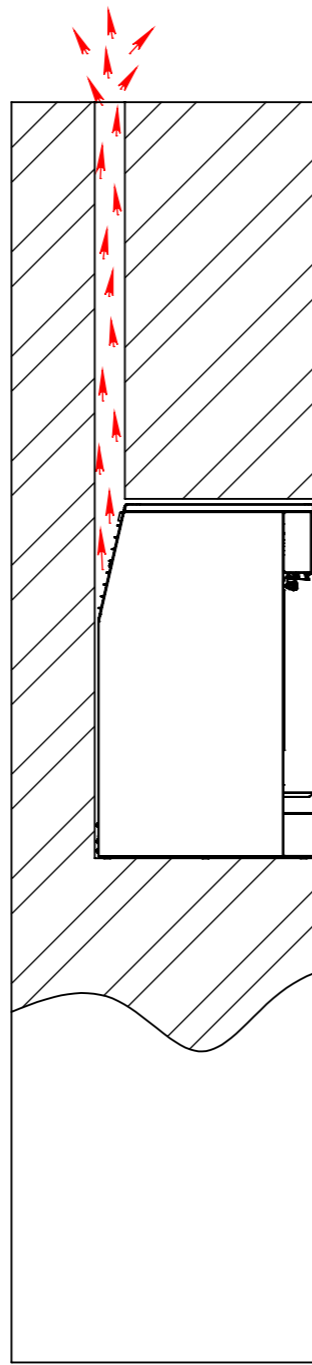
1 - EXAMPLE OF INSTALLATION - POSITIONING IN FORESEEN BOX
 (REFER TO MINIMAL REQUIRED CLEARANCE FOR PROPER PERFORMANCES)



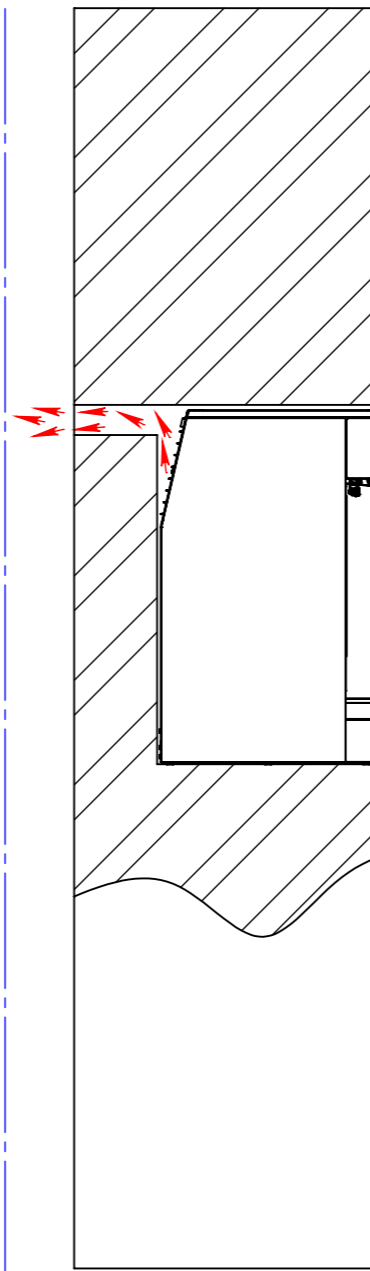
2 -N°4 EXAMPLE OF INSTALLATION - BUILT-IN POSITIONING -
 PASSAGE OF AIR FOR EACH DISPENSER BIGGER OF 10000 mm² [15,5 in²]



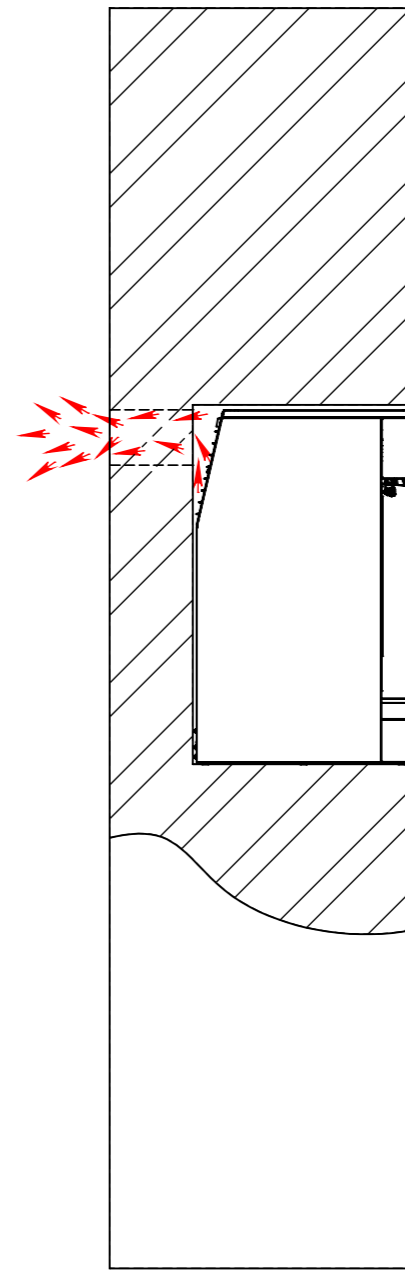
1



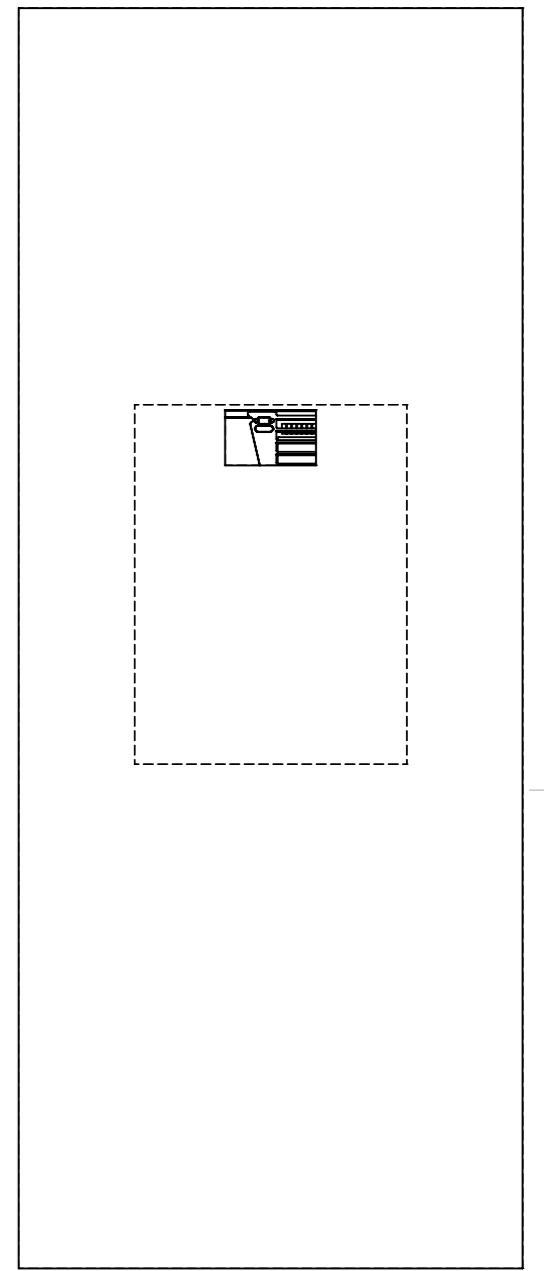
2



3



4



enomatic[®]
 wine serving systems

TITLE:
UNICA 4 BAG

PROPRIETARY AND CONFIDENTIAL
 THE INFORMATION CONTAINED IN THIS
 DRAWING IS THE SOLE PROPERTY OF
 ENOMATIC. ANY REPRODUCTION IN
 PART OR AS A WHOLE WITHOUT THE
 WRITTEN PERMISSION OF ENOMATIC
 IS PROHIBITED.

REV.	DESCRIPTION	DATE	EXECUTOR	CHK'D	APPV'D
CODE:	MATERIAL:				WEIGHT Kg:
FITG4E.....					

DWG NO. **EBC340-YM000**

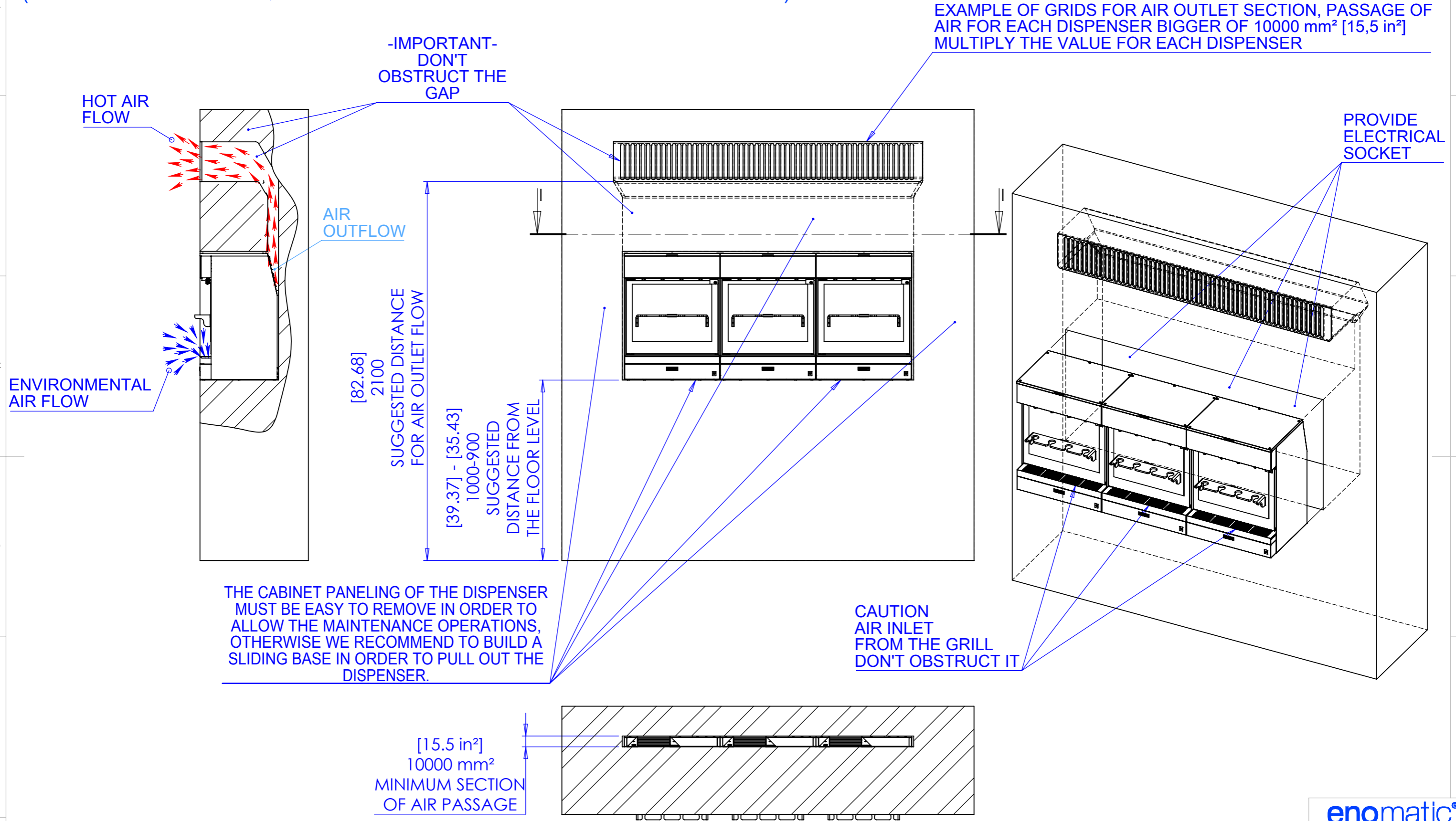
A3

QUOTE SENZA INDICAZIONI DI TOLLERANZA SECONDO UNI EN 22768 - mH
 DIMENSIONS WITHOUT TOLERANCE FIGURES, ACCORDING TO UNI EN 22768 - mH. STANDARD

SCALE:1:15 LANGUAGE: ENGLISH FINISH: THICKNESS:

SHEET 6 OF 7

3 - EXAMPLE OF INSTALLATION - POSITIONING IN FORESEEN BOX
(REFER TO MINIMAL REQUIRED CLEARANCE FOR PROPER PERFORMANCES)



NOTE
- WARNING: DO NOT INSTALL THE DISPENSER NEAR TO SOURCES OF HEAT OR HUMIDITY
- ALL DIMENSIONS ARE IN mm [inches]

PROPRIETARY AND CONFIDENTIAL
THE INFORMATION CONTAINED IN THIS DRAWING IS THE SOLE PROPERTY OF ENOMATIC. ANY REPRODUCTION IN PART OR AS A WHOLE WITHOUT THE WRITTEN PERMISSION OF ENOMATIC IS PROHIBITED.

REV.	DESCRIPTION	DATE	EXECUTOR	CHK'D	APPV'D
CODE:	MATERIAL:				WEIGHT Kg:
/	/	/	/	/	/



TITLE: **UNICA - 4 BOTT.**

DWG NO. **EBC340-YM000** A3

QUOTE SENZA INDICAZIONI DI TOLLERANZA SECONDO UNI EN 22768 - mH
DIMENSIONS WITHOUT TOLERANCE FIGURES, ACCORDING TO UNI EN 22768 - mH STANDARD

SCALE: 1:20 LANGUAGE: ENGLISH FINISH: THICKNESS: SHEET 7 OF 7