

enomatic®
wine serving systems

TITLE: **UNICA - 4 BOTT.**

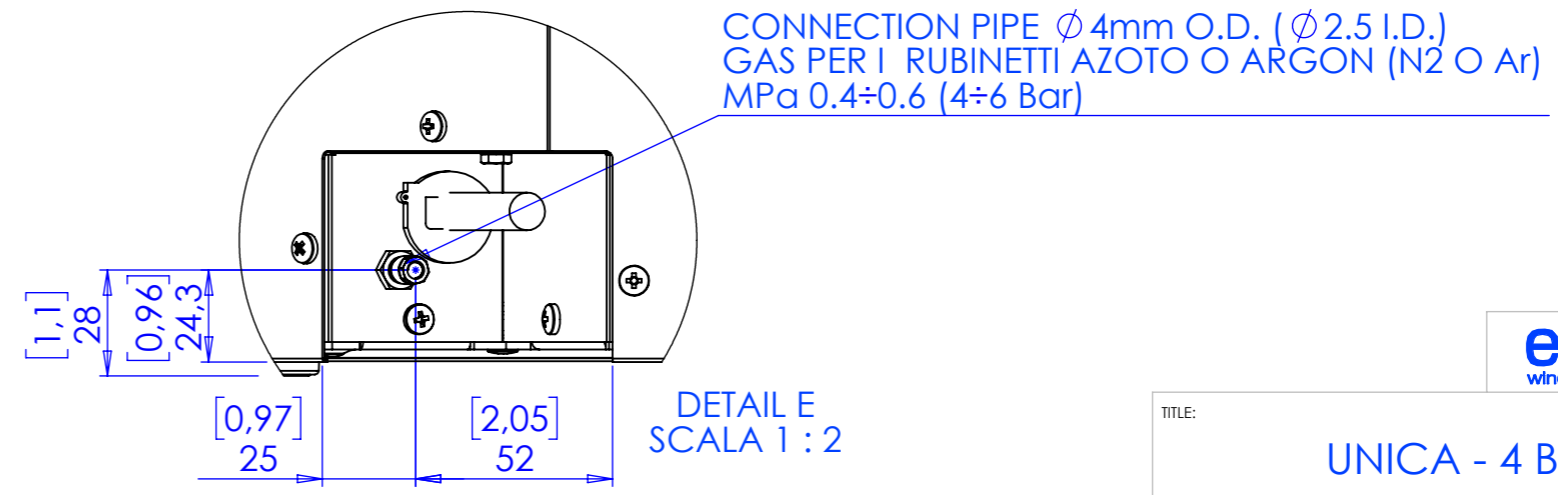
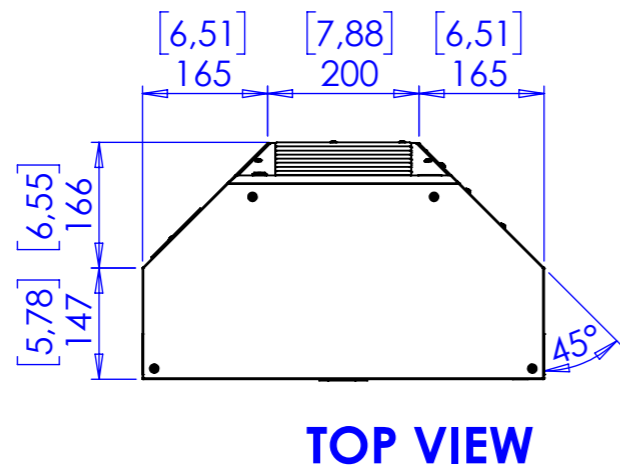
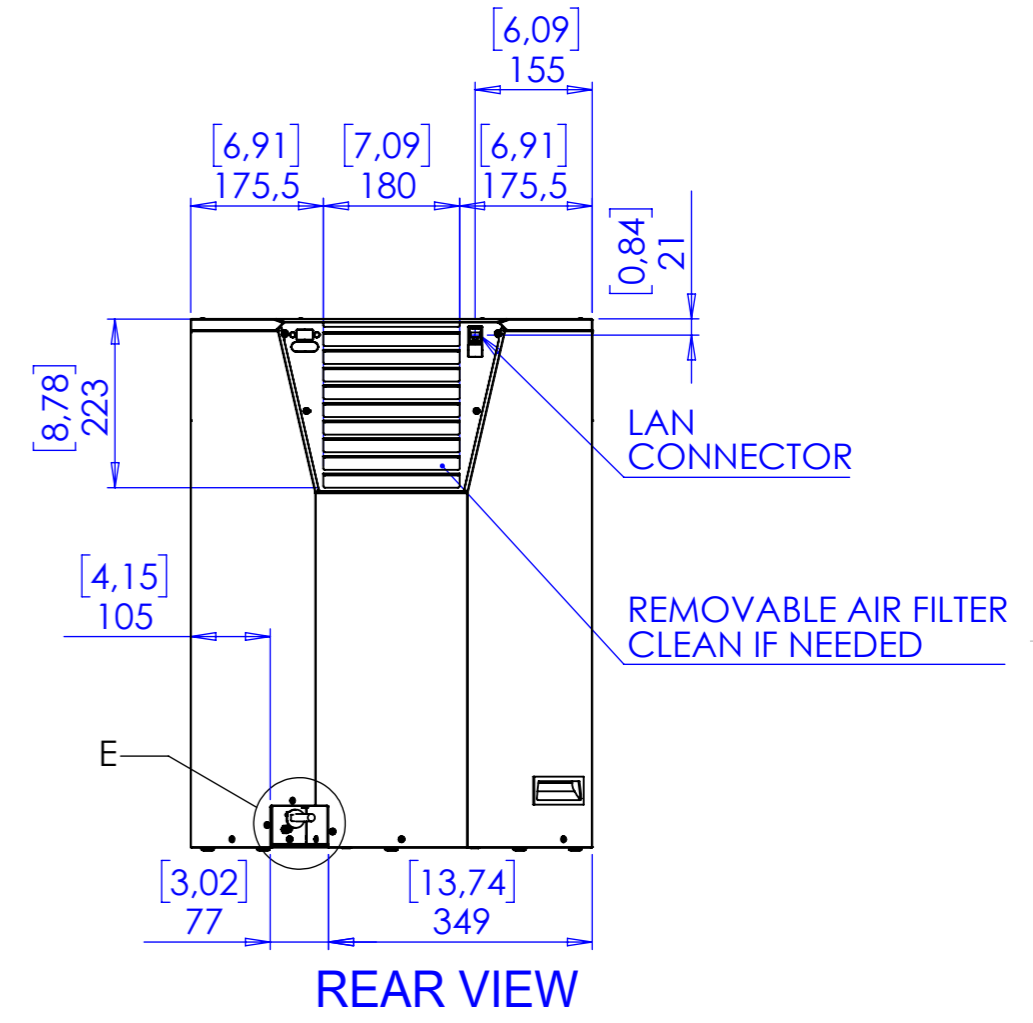
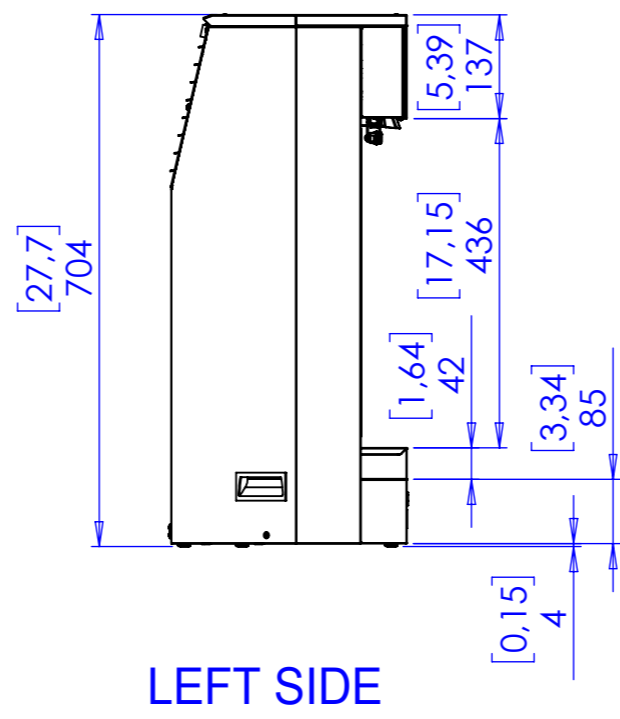
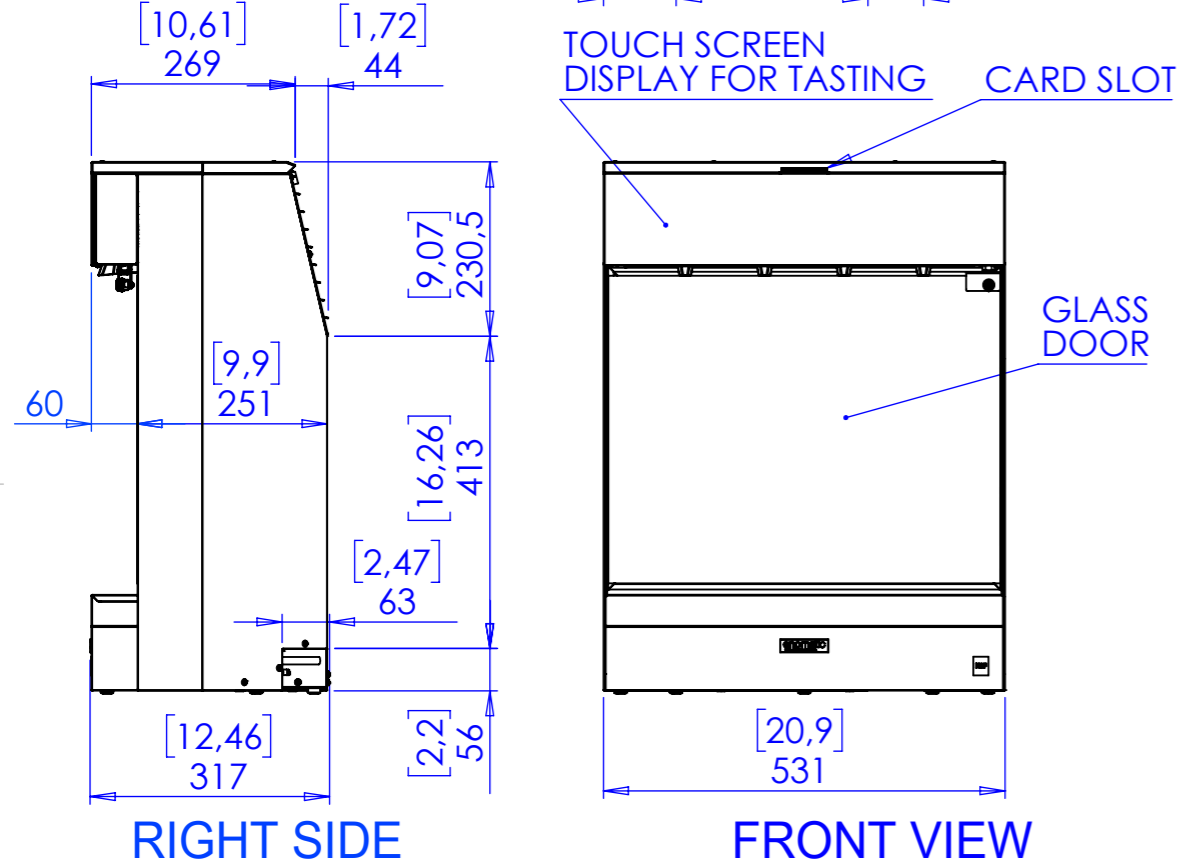
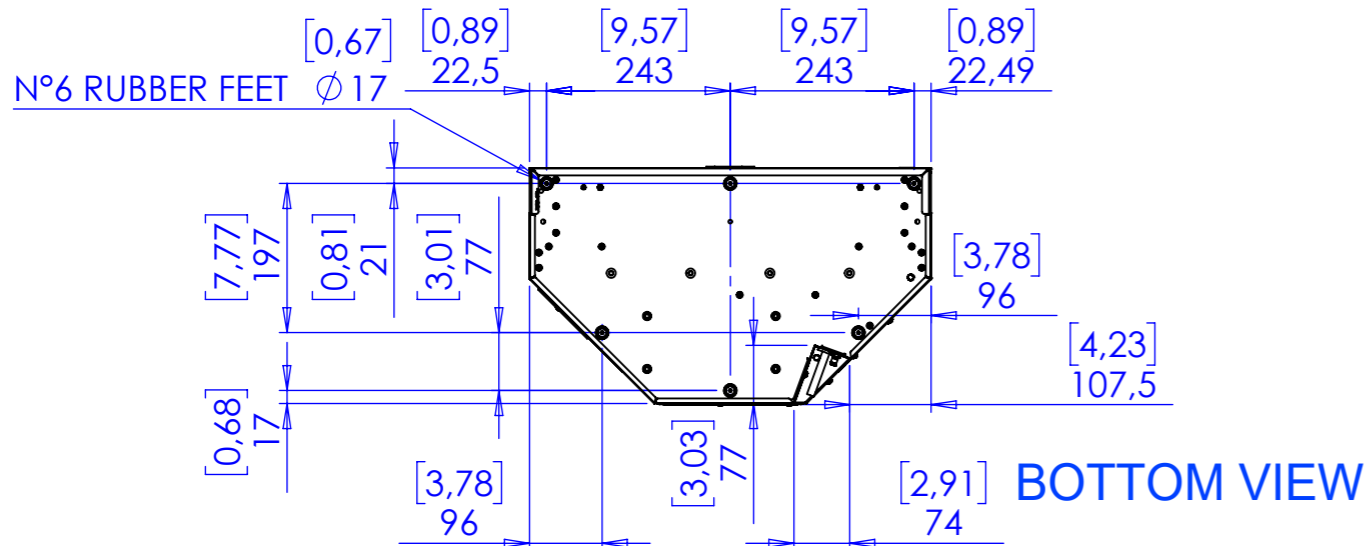
DWG NO. **ELC340-YM000**

SCALE: 1:5 LANGUAGE: ENGLISH FINISH: THICKNESS: SHEET 1 OF 7

REV.	DESCRIPTION	DATE	EXECUTOR	CHK'D	APPV'D
1	GENERAL REVISION	28/12/2021	PANICHI		
0	EMISSIONE	21/10/2020	PANICHI		

CODE:	MATERIAL:	WEIGHT Kg:
/	/	/

PROPRIETARY AND CONFIDENTIAL
THE INFORMATION CONTAINED IN THIS DRAWING IS THE SOLE PROPERTY OF ENOMATIC. ANY REPRODUCTION IN PART OR AS A WHOLE WITHOUT THE WRITTEN PERMISSION OF ENOMATIC IS PROHIBITED.



NOTE
- ALL DIMENSIONS ARE IN mm [inches]

PROPRIETARY AND CONFIDENTIAL
THE INFORMATION CONTAINED IN THIS DRAWING IS THE SOLE PROPERTY OF ENOMATIC. ANY REPRODUCTION IN PART OR AS A WHOLE WITHOUT THE WRITTEN PERMISSION OF ENOMATIC IS PROHIBITED.

REV.	DESCRIPTION	DATE	EXECUTOR	CHK'D	APPV'D
CODE:	MATERIAL:				WEIGHT Kg:
/	/	/	/	/	/

enomatic®
wine serving systems

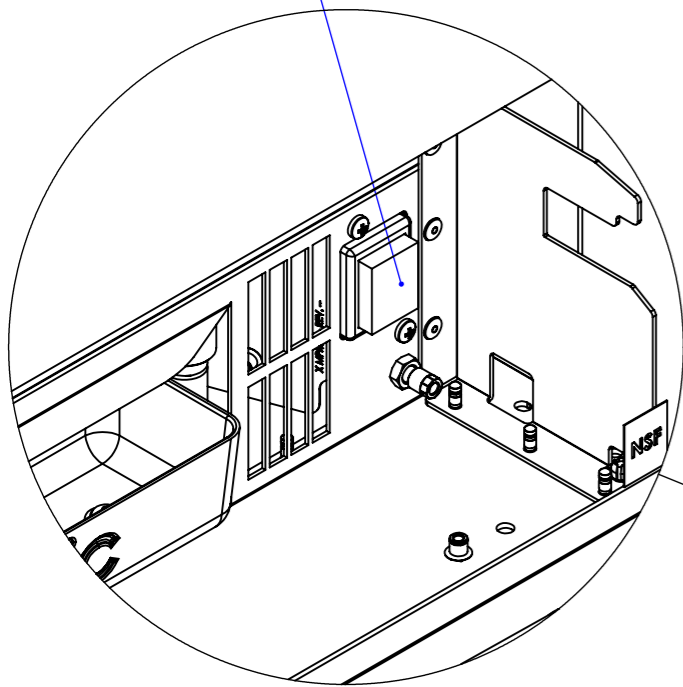
TITLE: **UNICA - 4 BOTT.**

DWG NO. **ELC340-YM000**

SCALE: 1:10 LANGUAGE: ENGLISH FINISH: THICKNESS:

A3 SHEET 2 OF 7

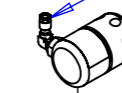
MAIN SWITCH



DETAIL G
SCALA 2 : 5

PRIMARY ACCESSORIES NOT INCLUDED

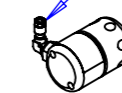
6458
CODE TO ORDER N°1
HIGH PRESSURE
REGULATOR M11x1
for disposable tanks
with needle valve



6448
CODE TO ORDER
DISPOSABLE COMPRESSED
ARGON M11x1 0,95Lt
UN 1006 , 2.2 (E) NR. 1 CANISTER



6457
CODE TO ORDER N°1
HIGH PRESSURE
REGULATOR M10X1
for disposable tanks
with needle valve

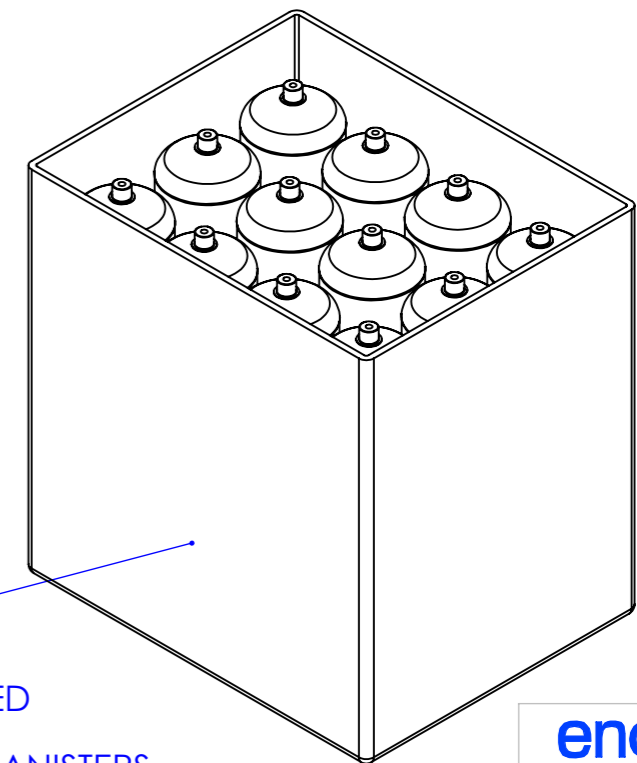


REMOVABLE
CONDENSATION TRAY

GAS CYLINDER
HOUSING

FILTRO ARIA REMOVIBILE
PULIRE SE NECESSARIO

6455
CODE TO ORDER
DISPOSABLE COMPRESSED
ARGON M11x1 0,95Lt
UN 1006 , 2.2 (E) NR.12 CANISTERS



enomatic®
wine serving systems

TITLE:
UNICA - 4 BOTT.

PROPRIETARY AND CONFIDENTIAL
THE INFORMATION CONTAINED IN THIS
DRAWING IS THE SOLE PROPERTY OF
ENOMATIC. ANY REPRODUCTION IN
PART OR AS A WHOLE WITHOUT THE
WRITTEN PERMISSION OF ENOMATIC
IS PROHIBITED.

REV.	DESCRIPTION	DATE	EXECUTOR	CHK'D	APPV'D
CODE:	MATERIAL:				WEIGHT Kg:
/		/			/

DWG NO. **ELC340-YM000**

A3

QUOTE SENZA INDICAZIONI DI TOLLERANZA SECONDO UNI EN 22768 - mH
DIMENSIONS WITHOUT TOLERANCE FIGURES, ACCORDING TO UNI EN 22768 - mH. STANDARD

SCALE:1:5 LANGUAGE: ENGLISH FINISH: THICKNESS:

SHEET 3 OF 7

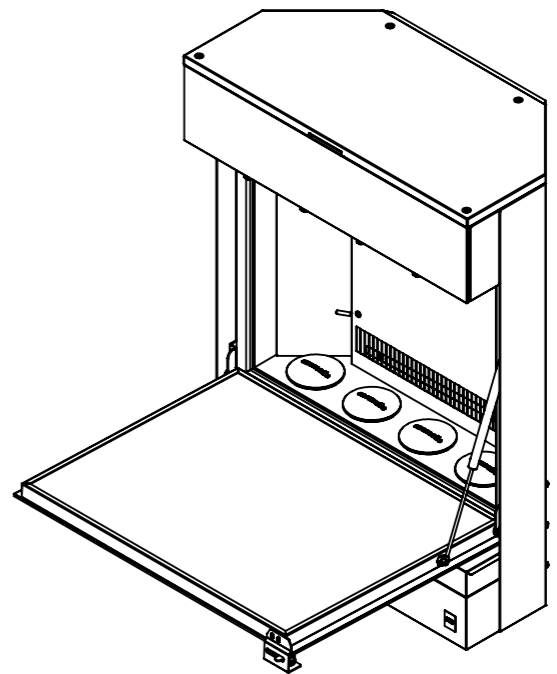
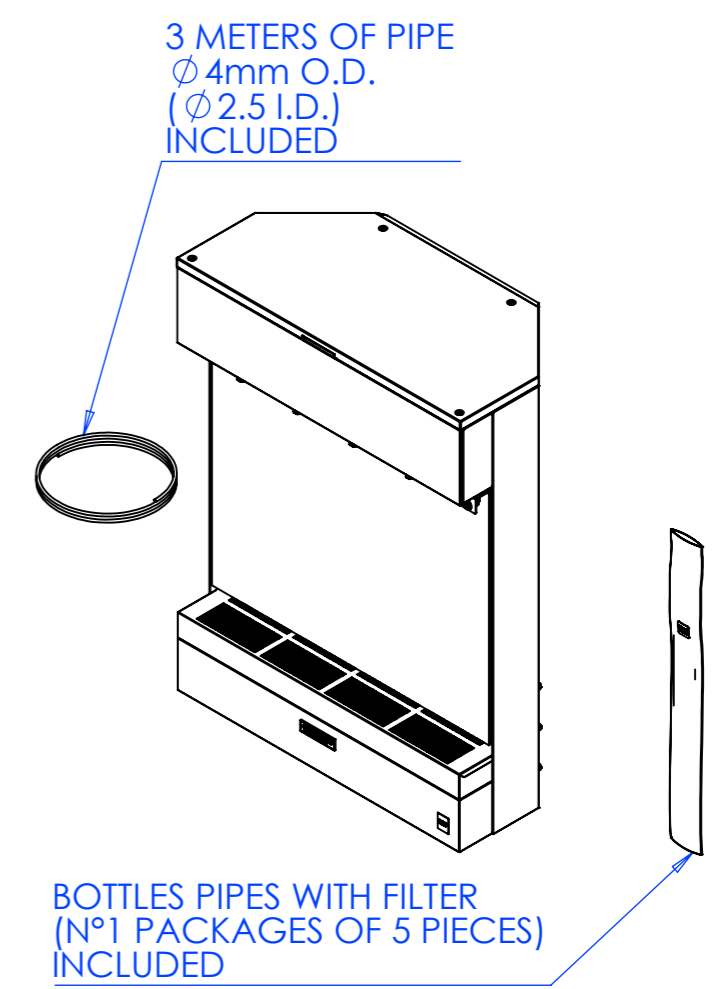
UNICA - 4 BOTTLE							
SIZE	HEIGHT (MIN -MAX)	704 mm [27.72]					
	DEPTH	317 mm [12.48]					
	WIDTH	531 mm [20.91]					
WEIGHT (Kg)	37 Kg						
FINISH MATERIALS	STAINLESS STEEL AISI 304 - GLASS						
ELETRICAL FEATURES	AVAILABLE MODEL	VOLTAGE (V)	100	115	127	220	220-240
		FREQUENCY (Hz)	50-60	60	60	60	50
	R134a	POWER (W)	80	120	80	100	120
		AMPS (A)	1.2	1.75	1.2	0.4	0.8
	R600a	AMPS (A)	1.1	-	1.1	0.5	0.5
	R290	AMPS (A)	-	1	-	-	-
REFRIGERATION SPECIFICATION	REFRIGERATION GAS	R134a / R600a / R290					
	TEMPERATURE CONTROL	ELECTRONIC CONTROLLER					
	DEFROST METHOD	AUTOMATIC VIA ELECTRONIC CONTROLLER					
	METHOD FOR TEMPERATURES CONTROL	DIGITAL					
PRESSURE GAS INLET FOR TAPS (ARGON OR NITROGEN)		MPa 0.4÷0.6 (4÷6 Bar)					
ACCEPTED BOTTLES	HEIGHT	220÷365mm [8.66÷14.37]					
	Ø MAX	105 mm [4.13]					

NOTE

- ALL DIMENSIONS ARE IN mm [inches]

PROPRIETARY AND CONFIDENTIAL
 THE INFORMATION CONTAINED IN THIS DRAWING IS THE SOLE PROPERTY OF ENOMATIC. ANY REPRODUCTION IN PART OR AS A WHOLE WITHOUT THE WRITTEN PERMISSION OF ENOMATIC IS PROHIBITED.

REV.	DESCRIPTION	DATE	EXECUTOR	CHK'D	APPV'D
CODE:	MATERIAL:				WEIGHT Kg:
/	/	/	/	/	/



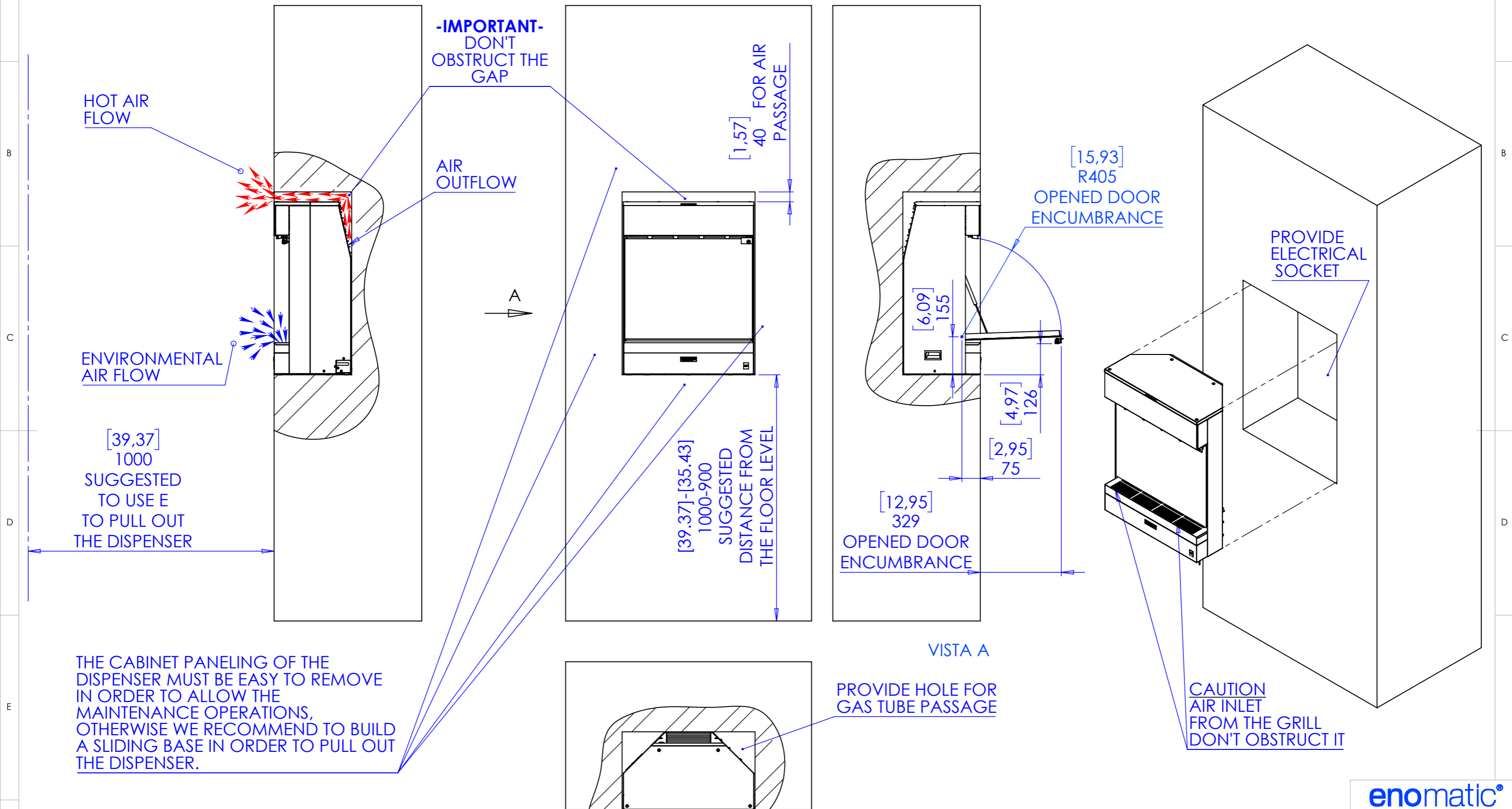
TITLE: **UNICA - 4 BOTT.**

DWG NO. **ELC340-YM000**

SCALE:1:10 LANGUAGE: ENGLISH FINISH: THICKNESS:

A3 SHEET 4 OF 7

1 - EXAMPLE OF INSTALLATION - POSITIONING IN FORESEEN BOX (REFER TO MINIMAL REQUIRED CLEARANCE FOR PROPER PERFORMANCES)



NOTE
 - WARNING: DO NOT INSTALL THE DISPENSER NEAR TO SOURCES OF HEAT OR HUMIDITY
 - ALL DIMENSIONS ARE IN mm [inches]

PROPRIETARY AND CONFIDENTIAL
 THE INFORMATION CONTAINED IN THIS DRAWING IS THE SOLE PROPERTY OF ENOMATIC. ANY REPRODUCTION IN PART OR AS A WHOLE WITHOUT THE WRITTEN PERMISSION OF ENOMATIC IS PROHIBITED.

REV.	DESCRIPTION	DATE	EXECUTOR	CHK'D	APPV'D
CODE:	MATERIAL:				WEIGHT Kg:
/	/	/	/	/	/



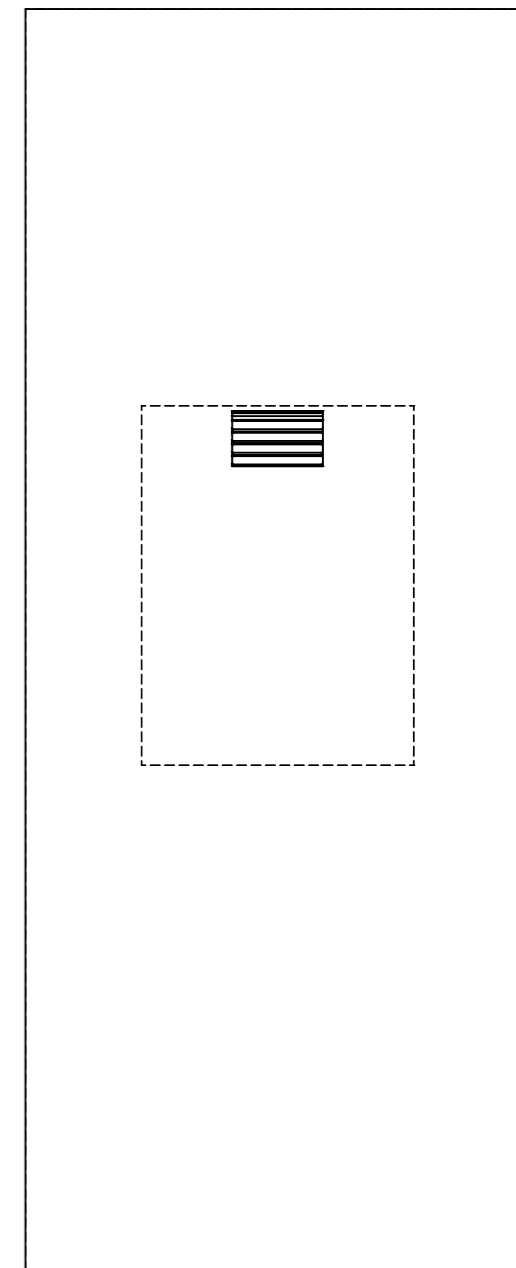
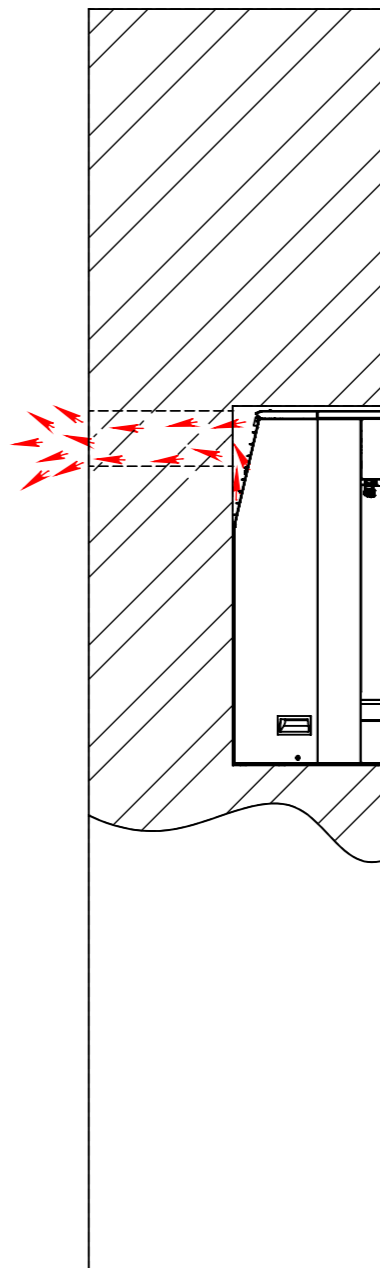
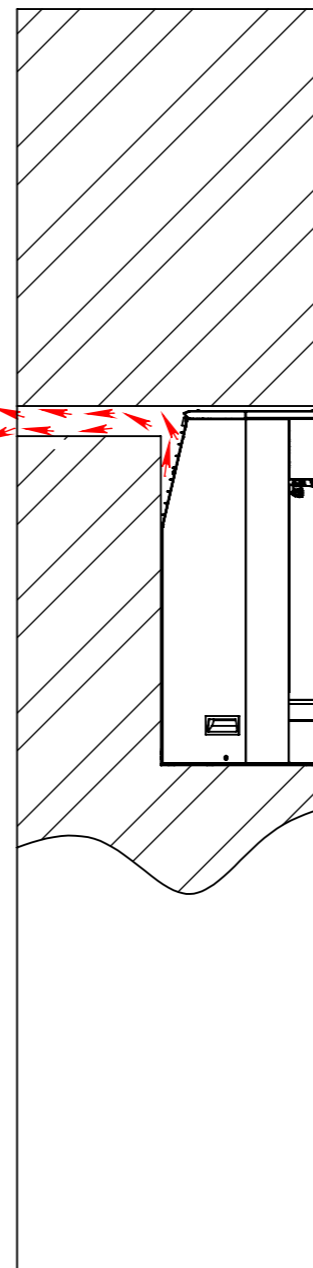
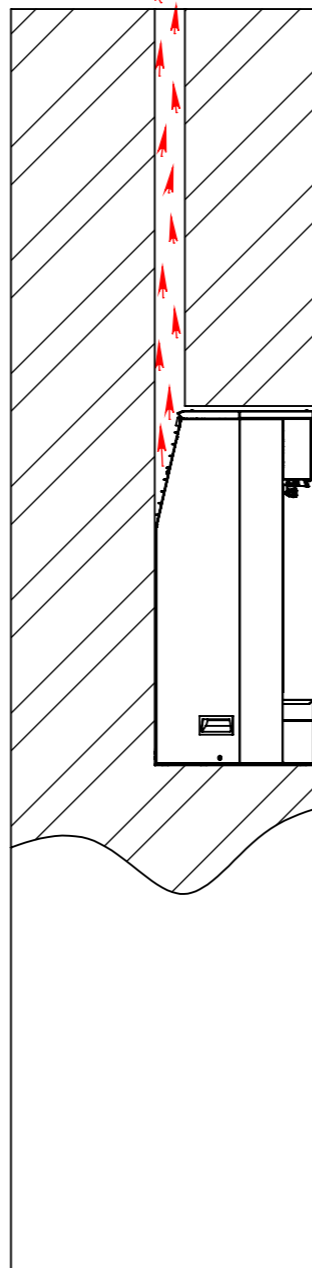
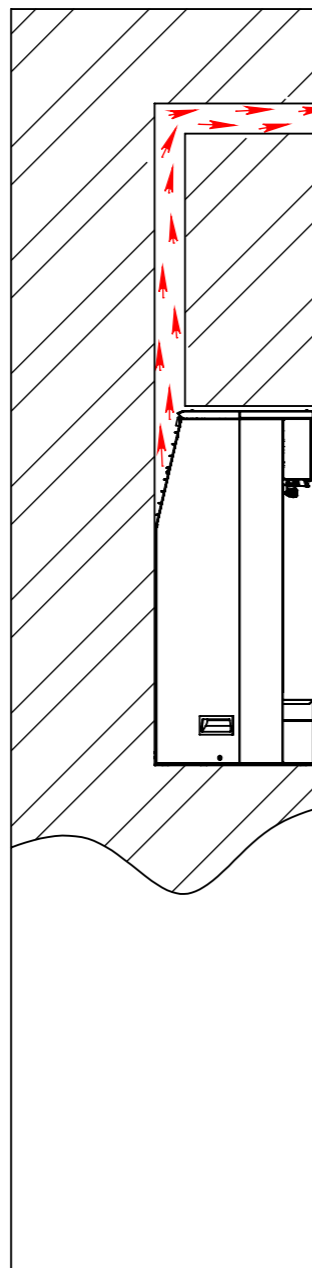
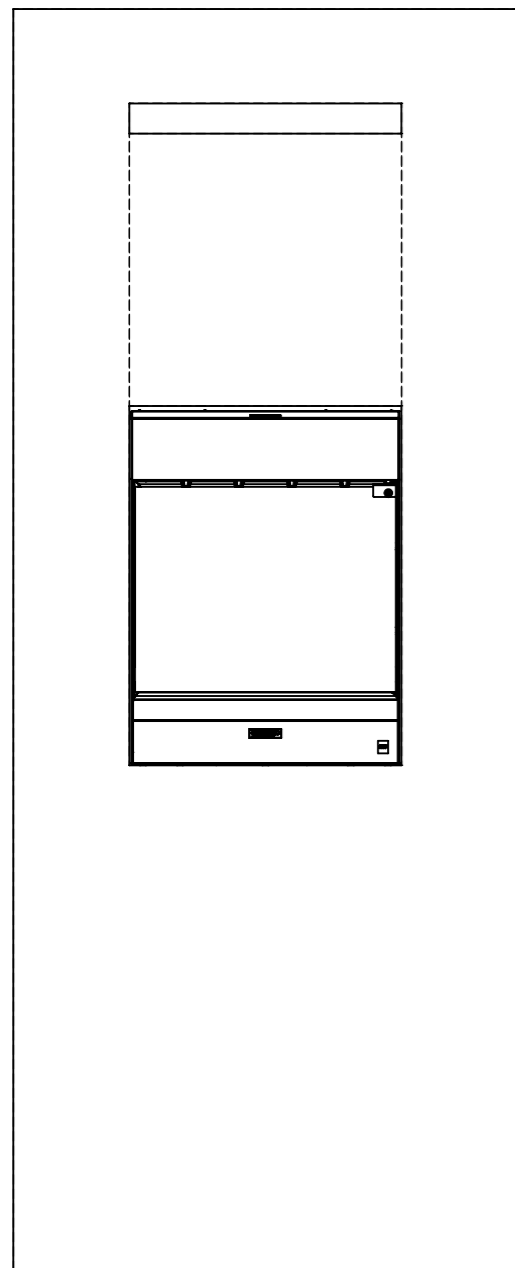
TITLE: **UNICA - 4 BOTT.**

DWG NO. **ELC340-YM000**

SCALE: 1:15 LANGUAGE: ENGLISH FINISH: THICKNESS:

A3 SHEET 5 OF 7

**2 - N°4 EXAMPLE OF INSTALLATION - BUILT-IN POSITIONING -
 PASSAGE OF AIR FOR EACH DISPENSER BIGGER OF 10000 mm² [15,5 in²]**



1

2

3

4

enomatic®
 wine serving systems

TITLE:
UNICA - 4 BOTT.

PROPRIETARY AND CONFIDENTIAL
 THE INFORMATION CONTAINED IN THIS
 DRAWING IS THE SOLE PROPERTY OF
 ENOMATIC. ANY REPRODUCTION IN
 PART OR AS A WHOLE WITHOUT THE
 WRITTEN PERMISSION OF ENOMATIC
 IS PROHIBITED.

REV.	DESCRIPTION	DATE	EXECUTOR	CHK'D	APPV'D
CODE:	MATERIAL:				WEIGHT Kg:
/	/	/	/	/	/

DWG NO. **ELC340-YM000**

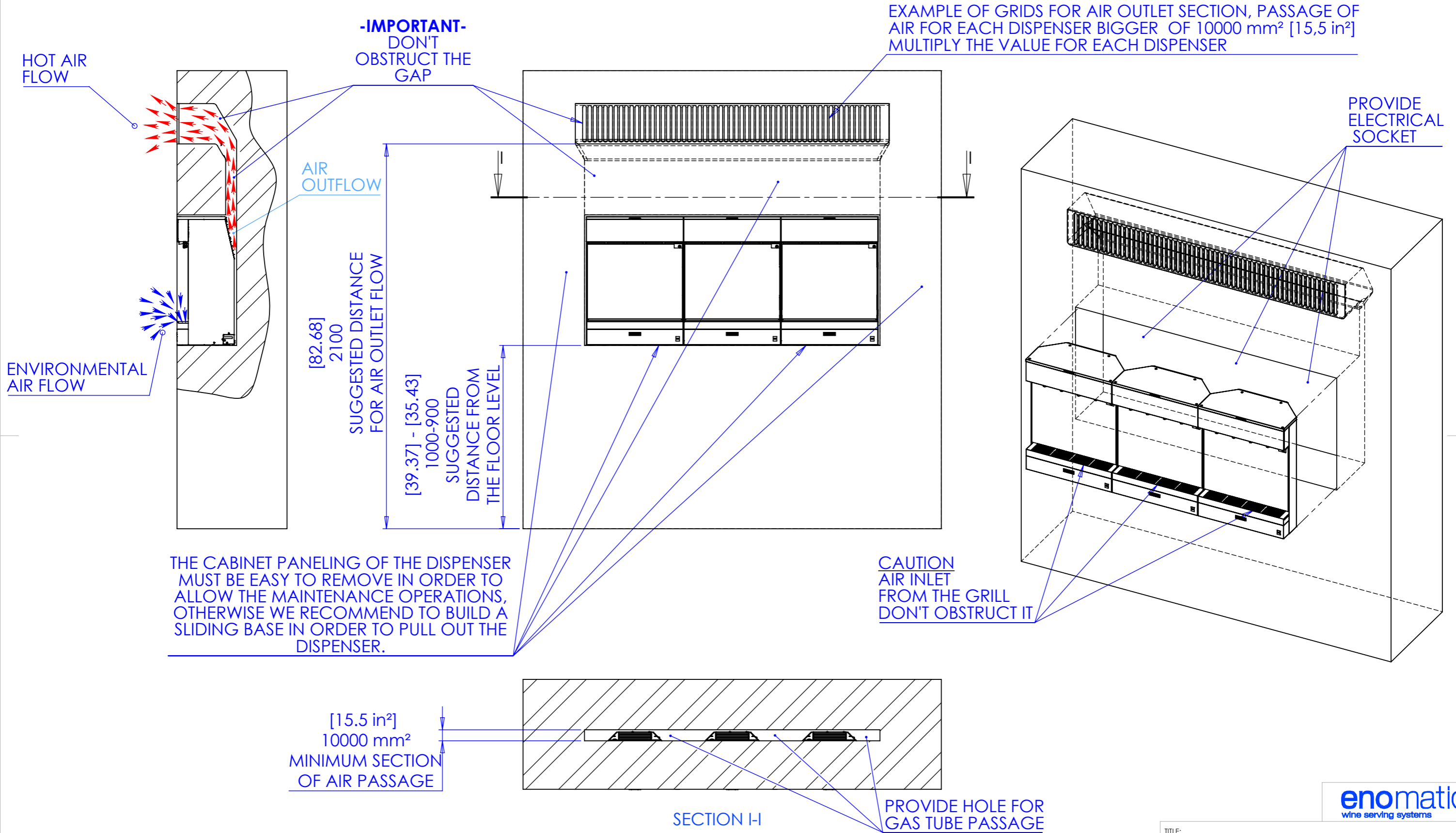
A3

QUOTE SENZA INDICAZIONI DI TOLLERANZA SECONDO UNI EN 22768 - mH
 DIMENSIONS WITHOUT TOLERANCE FIGURES, ACCORDING TO UNI EN 22768 - mH. STANDARD

SCALE:1:15 LANGUAGE: ENGLISH FINISH: THICKNESS:

SHEET 6 OF 7

3 - EXAMPLE OF INSTALLATION - POSITIONING IN FORESEEN BOX
(REFER TO MINIMAL REQUIRED CLEARANCE FOR PROPER PERFORMANCES)



NOTE
- WARNING: DO NOT INSTALL THE DISPENSER NEAR TO SOURCES OF HEAT OR HUMIDITY
- ALL DIMENSIONS ARE IN mm [inches]

PROPRIETARY AND CONFIDENTIAL
THE INFORMATION CONTAINED IN THIS DRAWING IS THE SOLE PROPERTY OF ENOMATIC. ANY REPRODUCTION IN PART OR AS A WHOLE WITHOUT THE WRITTEN PERMISSION OF ENOMATIC IS PROHIBITED.

REV.	DESCRIPTION	DATE	EXECUTOR	CHK'D	APPV'D
CODE:	MATERIAL:				WEIGHT Kg:
/	/	/	/	/	/



TITLE: UNICA - 4 BOTT.

DWG NO. ELC340-YM000 A3

QUOTE SENZA INDICAZIONI DI TOLLERANZA SECONDO UNI EN 22768 - mH
DIMENSIONS WITHOUT TOLERANCE FIGURES, ACCORDING TO UNI EN 22768 - mH. STANDARD

SCALE: 1:20 LANGUAGE: ENGLISH FINISH: THICKNESS: SHEET 7 OF 7